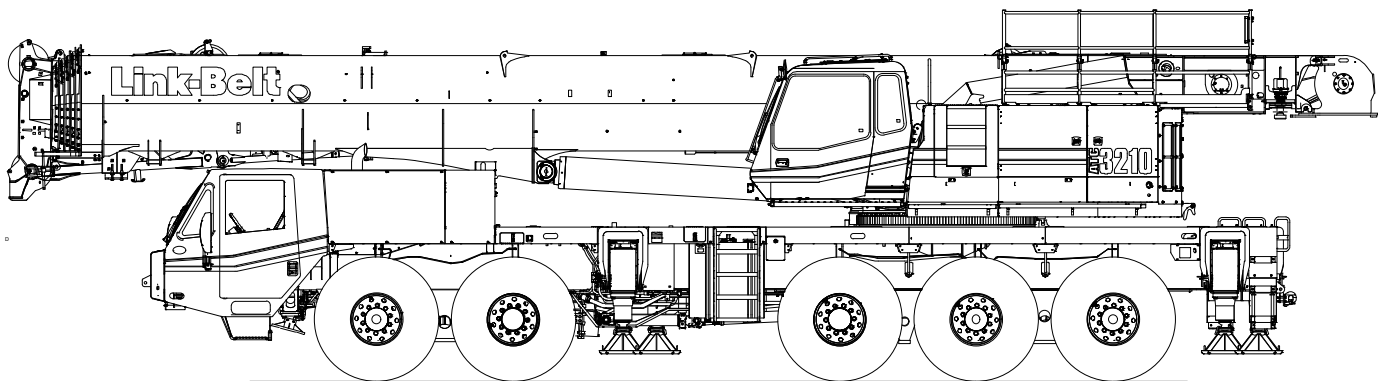


# Technical Data

## Specifications & Capacities

# ATC 3210

Telescopic Boom All Terrain Crane  
**210 US ton**  
**185 metric ton**



**CAUTION:** This material is supplied for reference use only. Operator must refer to in-cab Crane Rating Manual and Operator's Manual to determine allowable crane lifting capacities and assembly and operating procedures.



# Table Of Contents

<b>Boom, Attachments, and Upper Structure</b> .....	<b>1</b>
Boom .....	1
Boom Wear Pads .....	1
Boom Head .....	1
Boom Elevation .....	1
Auxiliary Lifting Sheave – Optional .....	1
Heavy Duty Lifting Pendants Package – Optional .....	1
Hook Blocks and Balls – Optional .....	1
Fly – Optional .....	1
Fly Extensions – Optional .....	1
Upper Operator’s Cab and Controls .....	2
Swing .....	3
Central Lubrication System .....	3
Electrical .....	3
Hydraulic System .....	3
Pump Drive .....	4
Fuel Tank .....	4
Engine .....	4
Load Hoist System .....	5
Load Hoist Performance .....	5
2M Main (Front) and Optional Auxiliary (Rear) Winches .....	5
Counterweight .....	5
<b>Carrier</b> .....	<b>7</b>
General .....	7
Outriggers .....	7
Steering and Axles .....	7
Suspension .....	7
Ground Control Outrigger/Suspension Controls .....	7
Tires and Wheels .....	8
Brakes .....	8
Central Lubrication System .....	8
Electrical .....	8
Engine .....	8
Transmission .....	8
Fuel Tank .....	8
Hydraulic System .....	8
Pump Drive .....	8
Carrier Speeds and Gradeability .....	9
Lower Cab and Controls .....	10
Additional Equipment .....	11
<b>Axle Loads – English</b> .....	<b>12</b>
<b>Axle Loads – Metric</b> .....	<b>13</b>
<b>Axle Loads with 2–Axle or 3–Axle Boom Dolly (3rd Axle Down) – English</b> .....	<b>14</b>
<b>Axle Loads with 2–Axle or 3–Axle Boom Dolly (3rd Axle Down) – Metric</b> .....	<b>15</b>
<b>General Dimensions</b> .....	<b>16</b>
<b>Working Range Diagram – Main Boom</b> .....	<b>17</b>

<b>Working Range Diagram – Main Boom + Fly</b> .....	<b>18</b>
<b>Boom Extend Modes</b> .....	<b>19</b>
<b>Main Boom Lift Capacity Charts – Standard</b> .....	<b>20</b>
0 lb Counterweight - Fully Extended Outriggers - 360° Rotation .....	20
36,000 lb Counterweight - Fully Extended Outriggers - 360° Rotation .....	21
<b>Main Boom Lift Capacity Charts – Optional</b> .....	<b>22</b>
58,000 lb Counterweight - Fully Extended Outriggers - 360° Rotation .....	22
80,000 lb Counterweight - Fully Extended Outriggers - 360° Rotation .....	23
102,000 lb Counterweight - Fully Extended Outriggers - 360° Rotation .....	24
115,500 lb Counterweight - Fully Extended Outriggers - 360° Rotation .....	25
<b>Manual &amp; Hydraulic Offset Fly Attachment Lift Capacity Charts – Optional</b> .....	<b>26</b>
36,000 lb Counterweight - Fully Extended Outriggers - 360° Rotation .....	26
Main Boom + 12 ft Offset Fly (Manual Offsets 2°, 15°, 30°, 45° & Hydraulic Offsets 2° - 45°) .....	26
115,500 lb Counterweight - Fully Extended Outriggers - 360° Rotation .....	27
Main Boom + 12 ft Offset Fly (Manual Offsets 2°, 15°, 30°, 45° & Hydraulic Offsets 2° - 45°) .....	27
<b>Manual Offset Fly Attachment Lift Capacity Charts – Optional</b> .....	<b>28</b>
36,000 lb Counterweight - Fully Extended Outriggers - 360° Rotation .....	28
200.1 ft Main Boom Length + 40 ft & 67 ft Manual Offset Fly (2°, 15°, 30°, 45° Offsets) .....	28
115,500 lb Counterweight - Fully Extended Outriggers - 360° Rotation .....	29
200.1 ft Main Boom Length + 40 ft & 67 ft Manual Offset Fly (2°, 15°, 30°, 45° Offsets) .....	29
200.1 ft Main Boom Length + 92 ft & 117 ft Manual Offset Fly (2°, 15°, 30°, 45° Offsets) .....	30
<b>Hydraulic Offset Fly Attachment Lift Capacity Charts – Optional</b> .....	<b>31</b>
36,000 lb Counterweight - Fully Extended Outriggers - 360° Rotation .....	31
200.1 ft Main Boom Length + 40 ft & 67 ft Hydraulic Offset Fly (2° - 45° Offsets) .....	31
115,500 lb Counterweight - Fully Extended Outriggers - 360° Rotation .....	32
200.1 ft Main Boom Length + 40 ft & 67 ft Hydraulic Offset Fly (2° - 45° Offsets) .....	32
<b>Main Boom Lift Capacity Charts – Metric</b> .....	<b>33</b>
16 329kg Counterweight - Fully Extended Outriggers - 360° Rotation .....	33
<b>Main Boom Lift Capacity Charts – Optional – Metric</b> .....	<b>34</b>
52 390kg Counterweight - Fully Extended Outriggers - 360° Rotation .....	34
<b>Manual &amp; Hydraulic Offset Fly Attachment Lift Capacity Charts – Optional – Metric</b> .....	<b>35</b>
16 329kg Counterweight - Fully Extended Outriggers - 360° Rotation .....	35
Main Boom + 3.65m Offset Fly (Manual Offsets 2°, 15°, 30°, 45° & Hydraulic Offsets 2° - 45°) .....	35
52 390kg Counterweight - Fully Extended Outriggers - 360° Rotation .....	36
Main Boom + 3.65m Offset Fly (Manual Offsets 2°, 15°, 30°, 45° & Hydraulic Offsets 2° - 45°) .....	36
<b>Manual Offset Fly Attachment Lift Capacity Charts – Optional – Metric</b> .....	<b>37</b>
16 329kg Counterweight - Fully Extended Outriggers - 360° Rotation .....	37
61m Main Boom Length + 12.2m & 20.4m Manual Offset Fly (2°, 15°, 30°, 45° Offsets) .....	37
52 390kg Counterweight - Fully Extended Outriggers - 360° Rotation .....	38
61m Main Boom Length + 12.2m & 20.4m Manual Offset Fly (2°, 15°, 30°, 45° Offsets) .....	38
61m Main Boom Length + 28m & 35.6m Manual Offset Fly (2°, 15°, 30°, 45° Offsets) .....	39
<b>Hydraulic Offset Fly Attachment Lift Capacity Charts – Optional – Metric</b> .....	<b>40</b>
16 329kg Counterweight - Fully Extended Outriggers - 360° Rotation .....	40
61m Main Boom Length + 12.2m & 20.4m Hydraulic Offset Fly (2° - 45° Offsets) .....	40
52 390kg Counterweight - Fully Extended Outriggers - 360° Rotation .....	41
61m Main Boom Length + 12.2m & 20.4m Hydraulic Offset Fly (2° - 45° Offsets) .....	41
61m Main Boom Length + 28m & 35.6m Hydraulic Offset Fly (2° - 45° Offsets) .....	42

# Boom, Attachments, and Upper Structure

## ■ Boom

**Design** — Six section, formed construction of extra high tensile steel consisting of one base section and five telescoping sections. The two plate design of each section has multiple longitudinal bends for superior strength. Each telescoping section extends independently by means of one double – action, single stage hydraulic cylinder with integral holding valves.

### Boom

- 44.3 – 200.1 ft (13.5 – 61m) six section boom
- Integral boom dolly connection
- Boom removal quick disconnects
- Three pinned positions of 0%, 50%, and 100% on each boom section
- Mechanical boom angle indicator
- Wind speed indicator
- Seven boom extend modes (EM1 – EM7), controlled from the operator's cab, provide superior capacities by varying the extension of the telescoping sections:
  - EM1 extends to 200.1 ft (61m)
  - EM2 extends to 185.5 ft (56.5m)
  - EM3 extends to 168.5 ft (51.4m)
  - EM4 extends to 153.4 ft (46.8m)
  - EM5 extends to 122.2 ft (37.2m)
  - EM6 extends to 124.1 ft (37.8m)
  - EM7 extends to 92.5 ft (28.2m)
- Maximum tip height for each extend mode is:
  - EM1 is 210.9 ft (64.3m)
  - EM2 is 196.3 ft (59.8m)
  - EM3 is 179.5 ft (54.7m)
  - EM4 is 164.5 ft (50.1m)
  - EM5 is 133.6 ft (40.7m)
  - EM6 is 124.1 ft (37.8m)
  - EM7 is 104.1 ft (31.7m)

### Boom Wear Pads

- Wear pads with Teflon inserts that self – lubricate the boom sections, inserts are universal for the boom.
- Bottom rear wear pads are universal for all boom sections.
- Top front wear pads are universal for all boom sections
- Top rear wear pads are common for T2, T3, T4, and T5 boom sections

### Boom Head

- Seven 16.53 in (41.99cm) root diameter nylon sheaves to handle up to 16 parts of line with auxiliary lifting sheave
- Easily removable wire rope guards
- Rope dead end lugs on either side of the boom head
- Boom head is designed for quick–reeve of the hook block

### Boom Elevation

- One double acting hydraulic cylinder with integral holding valve
- Boom elevation:  $-2.1^{\circ}$  to  $82.5^{\circ}$

### Auxiliary Lifting Sheave – Optional

- Single 16.53 in (41.99cm) root diameter nylon sheave
- Easily removable wire rope guards
- Does not affect erection of the fly or use of the main head sheaves
- Can be stored on right side of the boom without removal

### Heavy Duty Lifting Pendants Package – Optional

- Two pendant assemblies with 16.42 in (41.99cm) root diameter nylon sheaves
- Necessary to achieve greater than 16 parts of line

### Hook Blocks and Balls – Optional

- 35 ton (31.8t) 1 sheave quick–reeve hook block with safety latch
- 66 ton (60t) 3 sheave quick–reeve hook block with safety latch
- 100 ton (91t) 5 sheave quick–reeve hook block with safety latch
- 140 ton (127t) 7 sheave quick–reeve hook block with safety latch
- 210 ton (190.5t) 10 sheave quick–reeve twin hook block with safety latch
- 12 ton (10.9t) swivel hook ball with safety latch

### Fly – Optional

- 40 – 67 ft (12.19 – 20.42m) two piece bi-fold lattice fly, stowable, offsettable to  $2^{\circ}$ ,  $15^{\circ}$ ,  $30^{\circ}$ , and  $45^{\circ}$ . Maximum tip height is 277.3 ft (84.5m). Minimum of 36,000 lb (16 329kg) of counterweight required.
- 12-40-67 ft (3.65-12.19-20.42m) three piece bi-fold lattice fly, stowable, offsettable to  $2^{\circ}$ ,  $15^{\circ}$ ,  $30^{\circ}$ , and  $45^{\circ}$ . Maximum tip height is 277.3 ft (84.5m). Minimum of 36,000 lb (16 329kg) of counterweight required.
- 12-40-67 ft (3.65-12.19-20.42m) three piece bi-fold lattice fly, stowable hydraulically offsettable to  $2^{\circ}$  through  $45^{\circ}$ . Maximum tip height is 277.3 ft (84.5m). Minimum of 36,000 lb (16 329kg) of counterweight required.

### Fly Extensions – Optional

- One 25 ft (7.62m) lattice extension, equipped with one 16.38 in (41.6cm) root diameter nylon deflector sheave to be mounted between the boom head and fly options. Maximum tip height of 302.0 ft (92.1m). Minimum of 58,000 lb (26 308kg) of counterweight required.
- Two 25 ft (7.62m) lattice extensions, equipped with one 16.38 in (41.6cm) root diameter nylon deflector sheave to be mounted between the boom head and fly options. Maximum tip height of 326.7 ft (99.6m). Minimum of 58,000 lb (26 308kg) of counterweight required.

## ■ Upper Operator's Cab and Controls

**Environmental Cab** – Fully enclosed, one person cab of galvanneal steel structure with acoustical insulation.

Equipped with:

- Tilting cab up to 20°
- Tinted and tempered glass windows
- Five way adjustable, cushioned seat with headrests, and seat belt
- Extra–large fixed front window with windshield wiper and washer
- Swing up roof window with windshield wiper
- Sliding left side door with large fixed window
- Sliding right side window for ventilation
- Engine dependent warm – water heater with air ducts for front windshield defroster and cab floor
- Defroster fan for the front window
- Bubble level
- Circulating fan
- Sun screen
- LED dome light
- Cup holder
- Fire extinguisher
- Left side viewing mirror
- Two position travel swing lock

**Air Conditioning** – Integral with cab heating system utilizing the same ventilation outlets

**Armrest Controls** – Two dual axis electronic joystick controllers or optional single axis electronic controllers for:

- Swing
- Boom hoist
- Main front winch
- Auxiliary rear winch – optional
- Drum rotation indication
- Drum rotation indicator activation switch
- Winch high/low speed disable switch(es)
- Cab heater and A/C controls
- Throttle lock switch
- Throttle set/resume switch
- Cab tilt switch
- Counterweight handling switch
- Warning horn button
- Swing park brake

### Foot Controls

- Boom Telescope
- Swing brake
- Engine throttle

**Right Front Console** – Controls and indicators for:

- Warning horn button
- Function disable switch
- Cab floodlights switch
- Console dimmer switch
- 2–12 volt accessory outlets (Switched & Unswitched)
- Emergency engine shutdown
- Windshield wiper/washer switch
- Outrigger keypad
- Upper ignition switch

- Lower ignition switch
- Boom floodlights switch – optional
- Rotating beacon/strobe light switch – optional
- Hydraulic offset fly switch – optional

**Camera Display** – Located on dash console

- Displays right side of upper
- Displays main and auxiliary winches

**Cab Instrumentation** – Ergonomically positioned LCD display, CANBUS instrumentation for crane operation including:

- Tachometer
- Change Hydraulic filter indication
- Engine water temperature
- Fuel level
- Hydraulic oil temperature
- Stop engine
- Check engine
- Wait to start
- High exhaust temperature light<sup>(1)</sup>
- Exhaust system cleaning light<sup>(1)</sup>
- Exhaust system cleaning Disabled light<sup>(1)</sup>
- Swing park brake light
- Fine metering function set & %
- Diesel exhaust fluid (DEF) Low Light<sup>(1)</sup>
- Engine air filter high restriction Light
- Engine Running Hours
- Hydraulic Oil Life Indicator
- Engine Oil Life Indicator
- General Service Indicator
- Carrier engine indicator lights and gauges
- Engine oil pressure
- Battery voltage
- Engine hours
- Fuel rate (gal/hr)
- Engine load
- Third wrap indicator activation & setup
- Engine Diagnostics
- Electronic Control Diagnostics
- Outrigger level indicator
- Exhaust system cleaning inhibit switch<sup>(1)</sup>
- Exhaust system cleaning initiate switch<sup>(1)</sup>
- Service interval indicator
  - Hydraulic oil
  - Engine oil
  - Miscellaneous – user defined

**Diagnostic Center** – Located on the left side of the front panel below the windshield

- Engine diagnostic
- RCL CANBUS diagnostic
- Boom CANBUS diagnostic
- Crane Controller USB diagnostic
- RCL controller USB diagnostic
- Manual boom control connection
- Manual crane control connection

<sup>(1)</sup> (Tier 4f / Stage IV engine only)

**Link-Belt Pulse** – The Link-Belt in-house designed, total crane operating system that utilizes the display as a readout and operator interface for the following systems:

- **Rated capacity limiter** – LCD graphic audio – visual warning system integrated into the dash with anti – two block and function limiter. Operating data includes:
  - Crane configuration
  - Boom length
  - Boom head height
  - Allowed load and % of allowed load
  - RCL light bar
  - Boom angle
  - Radius of load
  - Actual load
  - Wind speed
  - Highlighted unit of measurement on working screen
  - Active pin/latch status
  - Telescope operation displayed in real time
  - Counterweight installation/removal
  - Third wrap indicator
  - Diagnostics
  - Outtrigger position sensing
  - Drum rotation direction indicator
  - Operator settable alarms (include):
    - Maximum and minimum boom angles
    - Maximum tip height
    - Maximum boom length
    - Swing left/right positions
    - Operator defined area (imaginary plane)
- **Extend control module (ECM)**
  - Controls the extend modes
  - Diagnostics
- **Electronic controllers**
  - Controls all load lifting functions
  - Diagnostics
- **Fine metering**
  - Controls the reaction speeds of the main and auxiliary winches, boom hoist, and swing functions
  - Diagnostics

**Integrated Third Wrap Indicator – Optional** – Link-Belt Pulse color display visually and audibly warns the operator when the wire rope is on the first/bottom layer and when the wire rope is down to the last three wraps.

**Integrated Third Wrap Function Kickout – Optional** – Link-Belt Pulse color display visually and audibly warns the operator when the wire rope is on the first/bottom layer and provides a function kickout when the wire rope is down to the last three wraps.

**External RCL Light Bar – Optional** – Visually informs the ground crew when crane is approaching maximum load capacity with a series of green, yellow, and red lights.

**Internal RCL Light Bar – Optional** – Visually informs the operator when crane is approaching maximum load capacity with a series of green, yellow, and red lights.

## ■ Swing

**Motor/Planetary** – Two bi-directional hydraulic swing motors mounted to planetary reduction units for 360° continuous smooth swing at 1.5 rpm.

**Swing Park Brake** – 360°, electric over hydraulic, (spring applied/hydraulic released) multi-disc brake mounted between the speed reducer and the motor. Operated by a switch in the operator's cab.

**Swing Brake** – 360°, foot operated, hydraulic applied disc brake mounted to the reduction unit.

**Swing Lock** – Two – position swing lock (boom over the front or rear) operated from the operator's cab.

**360° Positive Swing Lock – Optional** – Meets New York City requirement.

## ■ Central Lubrication System

Automated lubrication unit that injects grease into the turntable bearing, boom hoist cylinder pins, boom foot pins, house lock (2-position), and cab tilt cylinder. Activated by a timer on the ignition switch.

## ■ Electrical

Two batteries provide 12 – volt operation and starting. CANBUS wiring and components.

**Swing Alarm** – Audio/Visual warning device signals when the upper is swinging.

### Lights

- Two LED working lights on the front of the cab
- One LED working light on top of the cab – optional
- Five LED working lights on superstructure – optional
- One rotating amber beacon on top of the cab – optional
- One amber strobe beacon on top of the cab – optional
- Boom floodlight – Single – optional
- Boom floodlight – Dual – optional
- Boom floodlight – High intensity remote controlled – optional

**Power Panel** – Sealed power panel containing:

- Battery disconnects
- Hour meter
- Fuses, circuit breakers, relays, diodes, resistors
- Control modules

## ■ Hydraulic System

### Main Pumps

- Two piston pumps for boom hoist and telescope
- Two piston pumps for main and auxiliary winches
- One piston pump for swing
- One piston pump for counterweight removal and hydraulic fly option
- One gear pump for engine fan
- One gear pump for upper oil cooler fan
- The upper engine powers the pumps. Combined pump capacity of 218 gpm (825.2Lpm).

**Hydraulic Reservoir** – 148 gal (560.2L) capacity equipped with sight level gauge. Diffusers built in for deaeration, and magnetic drain plug.

### Filtration

- One, 7 – micron filter inside hydraulic reservoir, accessible for easy replacement
- One, 7 – micron charge filter next to the reservoir with an in – cab indicator light
- One suction strainer inside the hydraulic reservoir

**Counterbalance Valves** – Boom extend cylinder and boom hoist cylinder are equipped with counterbalance valves to provide load lowering and prevents accidental load drop when hydraulic power is suddenly reduced.

**Hydraulic Oil Cooler** – Mounted on right side above telescoping valve. Removes heat from the hydraulic oil.

**Boom Hoist Float Valves** – For transporting the boom over the rear of the crane with a boom dolly. Allows hydraulic oil within the boom hoist cylinder to flow between piston side and case side.

**Swing Brake Release Valve** – For transporting the boom over the rear of the crane with a boom dolly. Holds the 360° swing park brake in the released position allowing free rotation of the upper structure.

### ■ Pump Drive

All pumps are mechanically driven by the diesel engine.

### ■ Fuel Tank

- One 58 gal (219.5L) capacity aluminum diesel tank
- One 5 gal (18.9L) capacity diesel exhaust fluid (DEF) plastic tank

## ■ Engine

Specification	Cummins QSB–6.7
Numbers of cylinders	6
Cycle	4
Emissions Compliance Level	Tier 4f/Stage IV
Bore and Stroke: inch ( <i>mm</i> )	4.21 x 4.88 (106.9 x 124)
Piston Displacement: in <sup>3</sup> ( <i>cm</i> <sup>3</sup> )	408 (6 702)
Max. Brake Horsepower: hp ( <i>kW</i> )	215 (160) @ 1,800 rpm
Peak Torque: ft lb ( <i>Nm</i> )	700 (949) @ 1,500 rpm
Alternator: volts – amps	12 – 160
Crankcase Capacity: qt ( <i>L</i> )	19 (18)
<ul style="list-style-type: none"> <li>• Complies with EPA emissions standards effective January 2014.</li> </ul>	



## ■ Load Hoist System

### Load Hoist Performance

Main (Front) and Auxiliary (Rear) Winches – 22mm (7/8 in) Rope										
Layer	Maximum Line Pull		Normal Line Speed		High Line Speed		Layer		Total	
	lb	kN	ft/min	m/min	ft/min	m/min	ft	m	ft	m
1	22,510	100.13	131	39.9	262	79.9	125	38.1	125	38.1
2	20,309	90.34	145	44.2	291	88.7	138	42.0	263	80.1
3	18,501	82.30	160	48.8	319	97.2	152	46.3	414	126.1
4	16,989	75.57	174	53.0	348	106.0	165	50.3	579	176.5
5	15,705	69.86	188	57.3	376	114.6	179	54.6	758	231.0
6	14,601	64.95	202	61.5	405	123.4	192	58.5	950	289.5

Wire Rope Application		Diameter		Type	Maximum Permissible Load	
		in	mm		lb	kN
Main (Front) Winch	Standard	7/8	22	34x7 rotation resistant – right regular lay (Type ZB)	20,920	93.05
	Optional	7/8	22	4 strand, low torque – right regular lay (Type GC)	29,700	132.11
	Optional	7/8	22	34x7 rotation resistant – right regular lay (Type YB)	21,680	96.43
Auxiliary (Rear) Winch	Standard	7/8	22	34x7 rotation resistant – right regular lay (Type ZB)	20,920	93.05
	Optional	7/8	22	4 strand, low torque – right regular lay (Type GC)	29,700	132.11
	Optional	7/8	22	34x7 rotation resistant – right regular lay (Type YB)	21,680	96.43

### 2M Main (Front) and Optional Auxiliary (Rear) Winches

- Axial piston, full and half displacement (2-speed) motors driven through planetary reduction unit for positive control under all load conditions
- Grooved lagging
- Power up/down mode of operation
- Hoist drum cable followers – optional
- Drum rotation indicators
- Drum diameter: 15 in (38.1cm)
- Rope diameter: 22mm (0.875 in)
- Rope length:
  - Main (Front) 950 ft (289.5m)
  - Auxiliary (Rear) 700 ft (213m) or 950 ft (289.5m)
- Maximum rope storage: 951 ft (289.9m)
- Terminator style socket and wedge

- 80,000 lb (36.3t) counterweight

**Optional** – 79,500 lb (36.1t) in addition to standard counterweight for a total of 115,500 lbs (52.4t) counterweight for additional capacities for:

- 58,000 lb (26.3t) counterweight
- 80,000 lb (36.3t) counterweight
- 102,000 lb (46.3t) counterweight
- 115,500 lbs (52.4t) counterweight

Low speed jobsite travel is offered for all counterweight configurations and a boom dolly or boom trailer may be required for on-highway travel.

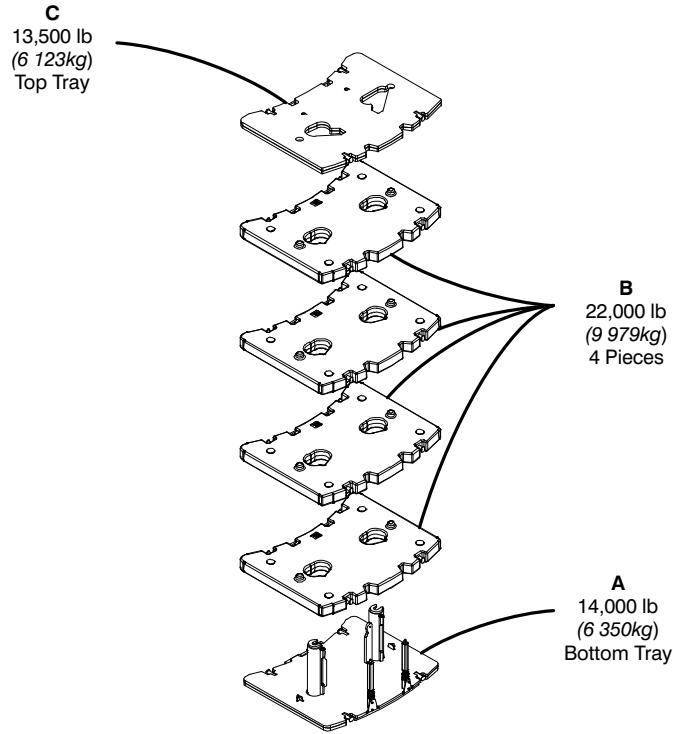
## ■ Counterweight

**Standard** – Total of 36,000 lbs (16.3t) of total counterweight consisting of two hydraulically removable counterweights. Assembled and disassembled by hydraulic cylinders controlled from the operator's cab with capacities for:

- 0 lb (0t) counterweight
- 14,000 lb (6.3t) counterweight
- 36,000 lb (16.3t) counterweight

**Optional** – 44,000 lb (20t) in addition to standard counterweight for a total of 80,000 lb (36.3t) counterweight for additional capacities for:

- 58,000 lb (26.3t) counterweight



Counterweight Packages			36,000 lb (16.3t) – Standard						
			80,000 lb (36.3t) – Optional						
			115,500 lb (52.4t) – Optional						
Counterweight Modules			A 14,000 lb (6.3t)	B 22,000 lb (10t)	B 22,000 lb (10t)	B 22,000 lb (10t)	B 22,000 lb (10t)	C 13,500 lb (6.1t)	
Counterweight Usage Configurations	0	0							
	A	14,000 lb (6.3t)	X						
	A,B	36,000 lb (16.3t)	X	X					
	A,B,B	58,000 lb (26.3t)	X	X	X				
	A,B,B,B	80,000 lb (36.3t)	X	X	X	X			
	A,B,B,B,B	102,000 lb (46.3t)	X	X	X	X	X		
	A,B,B,B,B,C	115,500 lb (52.4t)	X	X	X	X	X	X	

# Carrier

## General

- 9 ft 10 in (3.0m) wide
- 28 ft 9 in (8.76m) wheel base (centerline of first axle to centerline of fifth axle)
- **Frame** – Box – type, torsion resistant, welded construction made of high tensile steel. Equipped with front and rear tie – down lugs and access ladders.

## Outriggers

**Boxes** – Two double box, front and rear welded to the carrier frame

**Beams and Jacks** – Four dual stage beams with Confined Area Lifting Capacities (CALC) provide selectable outrigger extensions of full, intermediate, and retracted positions. Jacks with integral check valves, hydraulically controlled from the operator's cab and on both sides of the carrier. A fifth self storing pontoon front bumper outrigger with integral check valves is hydraulically controlled from the operator's cab, both sides of carrier, and at the front bumper of carrier.

**Pontoons** – Four stow'n go, 22.25 in (56.52cm) square steel pontoons with a contact area of 385 in<sup>2</sup> (2 483.8cm<sup>2</sup>) can be stored for road travel under the outrigger boxes.

**Outrigger Work Station Floodlights** – LED Flood lights are mounted at each outrigger beam and 5<sup>th</sup> outrigger.

**Main Jack Reaction** – Front and rear jacks 189,800 lb (86,091kg) force and 492 psi (3 392.1.5kPa) 360° ground bearing pressure. Consult factory for base rating ground bearing pressure information.

## Steering and Axles

- Sheppard full integral master gear/slave gear steering system provides hydraulic assisted steering with mechanical link between steering wheel and wheels

**On Highway (Primary) Steering Mode** – Axles 3, 4, and 5 will automatically steer in combination with axles 1 and 2 based on travel speed:

On–Highway (Primary)			
Speed	Less than 18.6 mph (30km/h)	18.6-31 mph (30-50km/h)	Greater than 31 mph (50km/h)
Axle 1	Steered	Steered	Steered
Axle 2	Steered	Steered	Steered
Axle 3	Steered	Locked	Locked
Axle 4	Steered	Locked	Locked
Axle 5	Steered	Steered	Locked

**Off Road (Auxiliary) Steering Modes** – Four independent modes consisting of:

- **All Wheel:** Axles 1, 2, 3, 4, and 5
- **Diagonal (Crab):** Axles 1, 2, 3, 4, and 5
- **Independent Rear:** Axles 3, 4, and 5
- **Drive Away From Walls:** Temporary crab

The front, all wheel, and diagonal (crab) steering modes are controlled from the steering wheel and are selected by controls in the driver's cab. Switches in the driver's cab control the rear steering mode through the steering module display.

- **Emergency Steering** – A pump is flange-mounted to the transmission and provides hydraulic pressure to the steering circuit as long as the crane is in motion
- **Drive** – 10 x 6 for on/off–highway travel
- **Axle 1** – Steered, driven
- **Axle 2** – Steered
- **Axle 3** – Steered
- **Axle 4** – Steered, driven
- **Axle 5** – Steered, driven
- **Inter–Axle Differential Lock** – Traction aiding device that locks axles 1, 4, and 5. Operated by a switch in the carrier cab.
- **Transverse (Cross–Axle) Differential Locks** – Traction aiding device that locks differentials within axles 1, 4, and 5. Operated by a momentary switch in the carrier cab.

## Suspension

Hydro – pneumatic, lockable with level adjustment and automatic ride height leveling. All axles have longitudinal and transverse trailing arms with leveling adjustment and lockable cylinders. The carrier can be raised, lowered, and tilted side to side by controls in the carrier cab that adjust the suspension cylinders to aid in machine setup.

- Cylinder stroke: –4.5 in (–11.43cm)/+3.5 in (8.89cm) at ride height

## Ground Control Outrigger/Suspension Controls

Environmentally sealed and ergonomically positioned, control stations located on both sides of the carrier with controls for crane operations including:

- Start and stop carrier engine
- Throttle carrier engine up and down
- Raise suspension on outriggers
- Outrigger operation including:
  - Extends and retracts two beams together
  - Extends and retracts all main jacks together
  - Extend and retract fifth (bumper) outrigger
  - Automatic leveling on outriggers
- Outrigger lighting
- Bubble level

## ■ Tires and Wheels

**Standard** – Ten (single) 525/80R25 tires on aluminum disc wheels

**Optional** – Ten (single) 445/95R25 tires on aluminum disc wheels

- Tire inflation kit – optional
- Spare tires and wheels – optional

## ■ Brakes

**Service** – Air anti-lock (ABS) braking system. Disc brakes on all wheel ends. Dual circuit compressed air system with air dryer.

**Parking/Emergency** – Spring loaded type, acting on 3rd, 4th, and 5th axles automatically apply when air pressure drops below 40 psi (275kPa) in both circuits.

**Intarder** – Hydrodynamic driveline brake that is integral to the transmission. Activated by a switch in the carrier cab and controlled by a lever on the steering column.

**Traction Control** – ABS activated traction control to limit wheel slip of axles 2, 4, and 5.

## ■ Central Lubrication System

Automated lubrication unit that injects grease into the steering gear arms, steering knuckles, axle king pins, and suspension cylinders. Activated by a timer on the ignition switch.

## ■ Electrical

**Battery** – Three batteries provide 12 volt starting and operation, easily accessible battery disconnects, and battery jumping posts

### Lights

- Front lighting includes two main headlights, two high beam lights, two LED parking/directional indicators, and three LED cab marker lights
- Side lighting includes four parking/directional indicators per side
- LED rear lighting includes two parking/directional indicators, two parking/brake lights, two reverse lights, three marker lights, and a license plate light
- Other equipment includes hazard/warning system, cab LED light, instrument panel light, signal horn, two outrigger LED lights on each side, and 5th outrigger light
- One amber strobe beacon on top of the cab – optional
- Daytime running lights – optional

## ■ Engine

Specification	Cummins ISX 15
Numbers of cylinders	6
Cycle	4
Bore and Stroke: inch ( <i>mm</i> )	5.39 x 6.65 (136.9x169)
Piston Displacement: in <sup>3</sup> ( <i>cm</i> <sup>3</sup> )	912 (14 945)
Max. Brake Horsepower: hp ( <i>kW</i> )	550 (410) @ 2,000 rpm 564 (421) @ 1,700 rpm
Peak Torque: ft lb ( <i>Nm</i> )	1,850 (2 508) @ 1,200 rpm
Alternator: volts – amps	12 – 160
Crankcase Capacity: qt ( <i>L</i> )	48 (45.4)
<ul style="list-style-type: none"> <li>• Cruise control</li> <li>• Engine compression brake</li> <li>• Two thermostatically controlled, hydraulically driven radiator fans</li> <li>• Complies with EPA emissions standards effective January 2013</li> </ul>	

## ■ Transmission

**Main Transmission** – Automated – ZF AS-Tronic (no clutch pedal) manual transmission with 12 forward gears and 2 reverse gears.

**Auxiliary Transmission** – Air actuated manual transmission with high/low range

## ■ Fuel Tank

- One 95 gal (359.6L) capacity aluminum fuel tank
- One 10 gal (37.8L) capacity diesel exhaust fluid (DEF) plastic fuel tank

## ■ Hydraulic System

All functions are hydraulically powered allowing positive, precise control with independent or simultaneous operation of all functions.

### Main Pumps

- Two section fixed displacement gear pump for 1<sup>st</sup> and 2<sup>nd</sup> axle steering circuits, suspension, outriggers, and 3<sup>rd</sup> and 4<sup>th</sup> axle steering circuits
- One fixed displacement gear pump for 5<sup>th</sup> axle steering circuit
- One fixed displacement piston pump for cooling fan circuit
- Combined pump capacity of 66 gpm (249.8Lpm)

**Hydraulic Reservoir** – 57 gal (215.7L) capacity equipped with sight level gauge. Diffusers built in for deaeration.

**Filtration** – Two 10 micron, full flow return line filters. All oil is filtered prior to return to reservoir. Accessible for easy filter replacement.

## ■ Pump Drive

- Engine fan, outriggers, steering, and suspension pumps mounted to the back of engine
- Rear steering pump mounted to back of air compressor
- Ground driven pump mounted to back of transmission

## Carrier Speeds and Gradeability

ZF AS-Tronic Transmission		Speed				Gradeability (@ peak torque Except Creep @ Idle)	
Gear	Ratio	High Range (0.804)		Low Range (1.781)		% Grade	
		mph	km/h	mph	km/h	Min.	Max.
12th	0.78	62.00	99.78	26.33	42.37	1.51	5.20
11th	1.00	45.50	73.23	20.54	33.06	2.46	6.95
10th	1.27	35.83	57.66	16.17	26.02	3.51	9.06
9th	1.62	28.09	45.21	12.68	20.41	4.81	11.78
8th	2.10	21.67	34.87	9.78	15.74	6.54	15.49
7th	2.69	16.91	27.21	7.64	12.30	8.63	20.04
6th	3.56	12.78	20.57	5.77	9.29	11.68	26.75
5th	4.57	9.96	16.03	4.49	7.23	15.20	34.52
4th	5.78	7.87	12.67	3.55	5.71	19.42	43.84
3rd	7.41	6.14	9.88	2.77	4.46	25.09	56.38
2nd	9.59	4.74	7.63	2.14	3.44	27.01	60.61
1st	12.29	3.70	5.95	1.67	2.69	26.87	60.29
Reverse (1)	11.38	4.00	6.44	1.80	6.13	26.90	60.36
Reverse (2)	8.88	5.12	8.24	2.31	7.85	27.03	60.66
1st @ 700 rpm	12.29	1.30	2.09	0.58	0.93		
Reverse (1) @ 700 rpm	11.38	1.40	2.25	0.63	1.01		
Reverse (2) @ 700 rpm	8.88	1.79	2.88	0.81	1.30		

Based on a gross vehicle weight of 136,000 lb (61 688.5kg) using 525/80R25 tires

## ■ Lower Cab and Controls

**Environmental Cab** – Fully enclosed, one person cab of composite structure with acoustical insulation. Equipped with:

- Tinted and tempered glass windows
- Roll down left side window for ventilation
- Intermittent windshield wiper and washer
- Six way adjustable and air suspended driver's seat with seat belt
- Two heated and electrically adjustable side view mirrors
- Engine dependent warm–water heater with air ducts for windshield defroster and cab floor
- Adjustable sun visor
- LED dome light
- Fire extinguisher

**Power Panel** – Sealed power panel behind carrier cab containing:

- Main circuit breakers & relays
- Rear steer modules
- ABS modules
- 12/24 volt convertor

**Air Conditioning** – Integral with cab heating system utilizing the same ventilation outlets

**Cab Instrumentation** – Ergonomically positioned instrumentation for driving including:

- Speedometer with odometer, hour meter, trip meter, and clock
- Tachometer
- Front and rear system air pressure with warning indicator
- Diesel exhaust fluid level with warning indicator<sup>(1)</sup>

**Dash Mounted Controls For:**

- Carrier lights
- Console dimmer switch
- Remote mirror control switches
- Mirror heating switch
- Cab heater/air conditioning switch
- Fresh/Recirculation air switch
- Park brake air valve
- Trailer brake air valve
- Carrier engine ignition switch

**Dash Mounted Indicators For:**

- Turn signal indication
- High beam headlights

**Right Side Diagonal LCD Display** – Ergonomically positioned on the right of driver's dash panel, digital instrumentation and indicators for crane operations including:

**Gauges**

- Engine water temperature
- Engine oil pressure
- Fuel level
- Voltmeter

**Indicator Lights**

- Regeneration inhibit<sup>(1)</sup>
- Check engine
- Stop engine
- Exhaust regeneration<sup>(1)</sup>
- High exhaust temperature<sup>(1)</sup>
- Wait to start

- Malfunction indicator lamp<sup>(1)</sup>
- Engine air filter high restriction light
- Cruise
- Park brake
- ABS
- Trailer ABS
- Steer computer
- Steer pump
- Steer hydraulic oil level
- Transaxle (cross–axle) differential lock
- Inter–axle differential lock
- Transfer case
- Travel mode
- Ride height
- Diesel Exhaust Fluid (DEF) level<sup>(1)</sup>
- Seat belt
- Traction control

**Diagnostic Screens**

- Engine
- After treatment
- Suspension/Outriggers
- Intarder

**Right Side Console** – Controls and indicators for:

- Transmission gear shifting
- Transmission digital readout
- Cruise controls
- Engine compression brake controls
- Steering electronic control panel
- Console dimmer switch
- Auxiliary transmission range selector switch
- Intarder on/off switch
- Diesel particulate filter switch<sup>(1)</sup>
- Regeneration inhibit switch<sup>(1)</sup>
- Fan override switch
- ABS Traction control switch
- Transaxle (cross–axle) differential lock switch with indicator light
- Inter–axle differential lock switch with indicator light
- Travel mode switch
- Front axles (axles 1 & 2) suspension height switch
- Rear axles (axles 3–5) suspension height switch
- Ride height switch
- 2/12 volt accessory outlet (switched & unswitched)

**Camera Display** – Located on dash console:

- Displays right side of machine
- Displays rear view

**Steering Column Controls For:**

- Turn signal switch
- High beam switch
- Steering wheel adjustments
- Warning horn
- Hazard light switch
- Intarder brake control lever
- Intermittent windshield wiper and washer

**Foot Controls For:**

- Carrier service brakes
- Engine throttle

<sup>(1)</sup> (EPA 2013 engine only)

**Fuse & Diagnostic Center** – Located inside cab behind seat contains:

- Fuses, Relays
- Control Modules
- Diagnostic ports
  - Suspension diagnostic
  - ABS Diagnostic
  - Cab display diagnostic
  - Intarder Diagnostic
  - Transmission Diagnostic
  - Steering Diagnostic

## ■ Additional Equipment

### Standard:

- Aluminum full deck fenders with mud flaps
- One right side aluminum storage box with ladder
- Air hose connection ports
- Clearance flags
- Front and rear anchor shackles
- Pneumatic and electrical quick disconnect connections mounted to the rear for trailer or boom dolly brakes and lights

### Optional:

- Rear mounted pintle hook
- Boom removal kit

## Axle Loads – English

Base crane with full tanks of fuel and no counterweight	Gross Vehicle Weight (1)	Axle 1	Axle 2	Axle 3	Axle 4	Axle 5
	lb	lb	lb	lb	lb	lb
	122,585	24,518	24,043	24,278	24,973	24,773
Driver in carrier cab	250	177	177	-34	-34	-34
Remove pontoons	-431	-15	-15	-134	-134	-134
Ether injector	5	4	4	-1	-1	-1
Rear pintle hook	44	-13	-13	23	23	23
16.00R25 (445/95R25) tires (instead of standard)	-1,008	-202	-202	-202	-202	-202
Carrier cab strobe light	5	4	4	-1	-1	-1
Hoist drum follower - main	96	-25	-25	49	49	49
Auxiliary winch with 700 ft (213m) of 7/8" (22mm) wire rope	3,090	-958	-958	1,668	1,668	1,668
Remove auxiliary winch with 700 ft (213m) of 7/8" (22mm) wire rope	-2,923	925	925	-1,591	-1,591	-1,591
Hoist drum follower - auxiliary	96	-36	-36	56	56	56
Remove 950 ft (289.5m) of wire rope from front (main) winch	-1,454	334	334	-707	-707	-707
Remove 700 ft (213mm) of wire rope from rear (auxiliary) winch	-1,109	303	303	-572	-572	-572
Substitute 700 ft (213mm) of rope with 950 ft (289.5m) of rope - rear (auxiliary)	344	-94	-94	177	177	177
Substitute 950 ft (289.5m) of rope with 700 ft (213m) of rope - front (main)	-344	79	79	-167	-167	-167
360° mechanical swing lock	151	-52	-52	85	85	85
Boom launching option	77	-10	-10	32	32	32
Floodlight to the front of the boom base section	17	6	6	2	2	2
Fly mounting brackets to boom base section for fly options	309	145	145	6	6	6
12 ft (3.65m) manual and hydraulically offsettable, lattice fly - stowed	2,291	1,718	1,718	-382	-382	-382
12-40 ft (3.65-12.2m) manual and hydraulically offsettable, two-piece (bi-fold) lattice fly - stowed	3,825	2,133	2,133	-147	-147	-147
12-40-67 ft (3.65-12.2-20.4m) manual and hydraulically offsettable, three-piece (bi-fold) lattice fly - stowed	4,981	2,371	2,371	80	80	80
Additional components for hydraulically offsettable fly	422	211	211	0	0	0
Auxiliary lifting sheave	112	102	102	-31	-31	-31
35 ton (31.8t) 1 sheave hook block at front bumper	1,100	863	863	-209	-209	-209
66 ton (60t) 3 sheave hook block at front bumper	1,900	1,491	1,491	-360	-360	-360
100 ton (91t) 5 sheave hook block at front bumper	2,250	1,765	1,765	-427	-427	-427
140 ton (127t) 7 sheave hook block at front bumper	2,850	2,236	2,236	-541	-541	-541
210 ton (190.5t) 10 sheave hook block at front bumper	3,200	2,511	2,511	-607	-607	-607
12 ton (10.9t) hookball at front bumper	722	566	566	-137	-137	-137

(1) Adjust gross vehicle weight and axle loading according to component weight. All weights are  $\pm 3\%$ .

Tire	Maximum Axle Load @ 50 mph Average Speed
20.5R25 (525/80R25) on aluminum disc wheels	28,004 lb
16.00R25 (445/95R25) on aluminum disc wheels	29,224 lb



## Axle Loads – Metric

Base crane with full tanks of fuel and no counterweight	Gross Vehicle Weight <sup>(1)</sup>	Axle 1	Axle 2	Axle 3	Axle 4	Axle 5
	kg	kg	kg	kg	kg	kg
	55 603	11 121	10 906	11 012	11 328	11 237
Driver in carrier cab	113	80	80	-16	-16	-16
Remove pontoons	-195	-7	-7	-61	-61	-61
Ether injector	2	2	2	0	0	0
Rear pintle hook	20	-6	-6	11	11	11
16.00R25 (445/95R25) tires (instead of standard)	-457	-91	-91	-91	-91	-91
Carrier cab strobe light	2	2	2	0	0	0
Hoist drum follower - main	44	-11	-11	22	22	22
Auxiliary winch with 700 ft (213m) of 7/8" (22mm) wire rope	1 402	-434	-434	757	757	757
Remove auxiliary winch with 700 ft (213m) of 7/8" (22mm) wire rope	-1 326	419	419	-722	-722	-722
Hoist drum follower - auxiliary	44	-16	-16	25	25	25
Remove 950 ft (289.5m) of wire rope from front (main) winch	-659	151	151	-321	-321	-321
Remove 700 ft (213m) of wire rope from rear (auxiliary) winch	-503	137	137	-259	-259	-259
Substitute 700 ft (213m) of rope with 950 ft (289.5m) of rope - rear (auxiliary)	156	-43	-43	80	80	80
Substitute 950 ft (289.5m) of rope with 700 ft (213m) of rope - front (main)	-156	36	36	-76	-76	-76
360° mechanical swing lock	69	-23	-23	39	39	39
Boom launching option	35	-5	-5	15	15	15
Floodlight to the front of the boom base section	8	3	3	1	1	1
Fly mounting brackets to boom base section for fly options	140	66	66	3	3	3
12 ft (3.65m) manual and hydraulically offsettable, lattice fly - stowed	1 039	779	779	-173	-173	-173
12-40 ft (3.65-12.2m) manual and hydraulically offsettable, two-piece (bi-fold) lattice fly - stowed	1 735	967	967	-67	-67	-67
12-40-67 ft (3.65-12.2-20.4m) manual and hydraulically offsettable, three-piece (bi-fold) lattice fly - stowed	2 259	1 075	1 075	36	36	36
Additional components for hydraulically offsettable fly	192	96	96	0	0	0
Auxiliary lifting sheave	51	46	46	-14	-14	-14
35 ton (31.8t) 1 sheave hook block at front bumper	499	391	391	-95	-95	-95
66 ton (60t) 3 sheave hook block at front bumper	862	676	676	-164	-164	-164
100 ton (91t) 5 sheave hook block at front bumper	1 021	801	801	-194	-194	-194
140 ton (127t) 7 sheave hook block at front bumper	1 293	1 014	1 014	-245	-245	-245
210 ton (190.5t) 10 sheave hook block at front bumper	1 451	1 139	1 139	-275	-275	-275
12 ton (10.9t) hookball at front bumper	327	257	257	-62	-62	-62

(1) Adjust gross vehicle weight and axle loading according to component weight. All weights are  $\pm 3\%$ .

Tire	Maximum Axle Load @ 80.5kph Average Speed
20.5R25 (525/80R25) on aluminum disc wheels	12 702.4kg
16.00R25 (445/95R25) on aluminum disc wheels	13 255.8kg

## Axle Loads with 2–Axle or 3–Axle Boom Dolly (3rd Axle Down) – English

Base crane with full tanks of fuel and no counterweight	Gross Vehicle Weight <sup>(1)</sup>	Axle 1	Axle 2	Axle 3	Axle 4	Axle 5	Dolly
	lb	lb	lb	lb	lb	lb	lb
	122,585	19,477	19,002	19,778	20,473	20,273	23,582
Nelson 2 - axle boom dolly <sup>(2)</sup>	6,600	0	0	0	0	0	6,600
Nelson 3 - axle boom dolly <sup>(2)</sup>	9,400	0	0	0	0	0	9,400
Driver in carrier cab	250	177	177	-34	-34	-34	0
Remove pontoons	-431	-15	-15	-134	-134	-134	0
Ether injector	5	4	4	-1	-1	-1	0
Rear pintle hook	44	-13	-13	23	23	23	0
16.00R25 (445/95R25) tires (instead of standard)	-1,008	-202	-202	-202	-202	-202	0
Carrier cab strobe light	5	4	4	-1	-1	-1	0
Hoist drum follower - main	96	30	30	12	12	12	0
Auxiliary winch with 700 ft (213m) of 7/8" (22mm) wire rope	3,090	1,131	1,131	276	276	276	0
Remove auxiliary winch with 700 ft (213m) of 7/8" (22mm) wire rope	-2,923	-1,089	-1,089	-248	-248	-248	0
Hoist drum follower - auxiliary	96	41	41	4	4	4	0
Remove 950 ft (289.5m) of wire rope from front (main) winch	-1,454	-416	-416	-207	-207	-207	0
Remove 700 ft (213m) of wire rope from rear (auxiliary) winch	-1,109	-365	-365	-126	-126	-126	0
Substitute 700 ft (213m) of rope with 950 ft (289.5m) of rope - rear (auxiliary)	344	113	113	39	39	39	0
Substitute 950 ft (289.5m) of rope with 700 ft (213m) of rope - front (main)	-344	-98	-98	-49	-49	-49	0
360° mechanical swing lock	151	60	60	10	10	10	0
Boom launching option	77	-10	-10	32	32	32	0
Floodlight to the front of the boom base section	17	2	2	1	1	1	10
Fly mounting brackets to boom base section for fly options	298	21	21	16	16	16	210
12 ft (3.65m) manual and hydraulically offsettable, lattice fly - stowed	2,291	-30	-30	-22	-22	-22	2,418
12-40 ft (3.65-12.2m) manual and hydraulically offsettable, two-piece (bi-fold) lattice fly - stowed	3,825	147	147	111	111	111	3,199
12-40-67 ft (3.65-12.2-20.4m) manual and hydraulically offsettable, three-piece (bi-fold) lattice fly - stowed	4,981	299	299	226	226	226	3,704
Additional components for hydraulically offsettable fly	422	23	23	17	17	17	326
Auxiliary lifting sheave	112	-6	-6	-5	-5	-5	139
35 ton (31.8t) 1 sheave hook block at boom head	1,100	-51	-51	-38	-38	-38	1,316
66 ton (60t) 3 sheave hook block at boom head	1,900	-88	-88	-66	-66	-66	2,274
100 ton (91t) 5 sheave hook block at boom head	2,250	-104	-104	-78	-78	-78	2,693
140 ton (127t) 7 sheave hook block at boom head	2,850	-131	-131	-99	-99	-99	3,411
12 ton (10.9t) hookball at boom head	722	-33	-33	-25	-25	-25	864

<sup>(1)</sup> Adjust gross vehicle weight and axle loading according to component weight. All weights are ±3%.

<sup>(2)</sup> Weights may vary.

Tire	Maximum Axle Load @ 50 mph Average Speed
20.5R25 (525/80R25) on aluminum disc wheels	28,004 lb
16.00R25 (445/95R25) on aluminum disc wheels	29,224 lb

## Axle Loads with 2–Axle or 3–Axle Boom Dolly (3rd Axle Down) – Metric

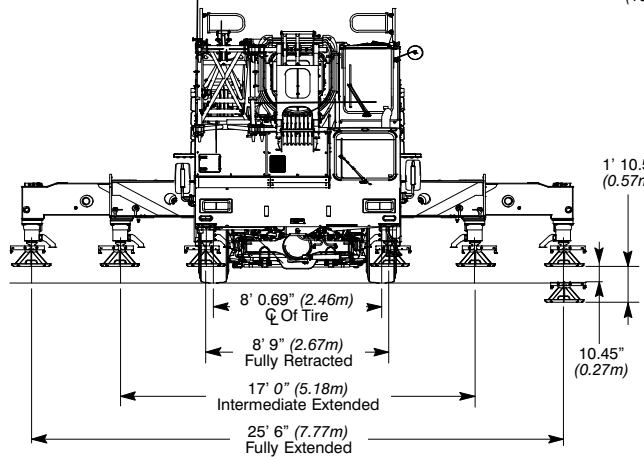
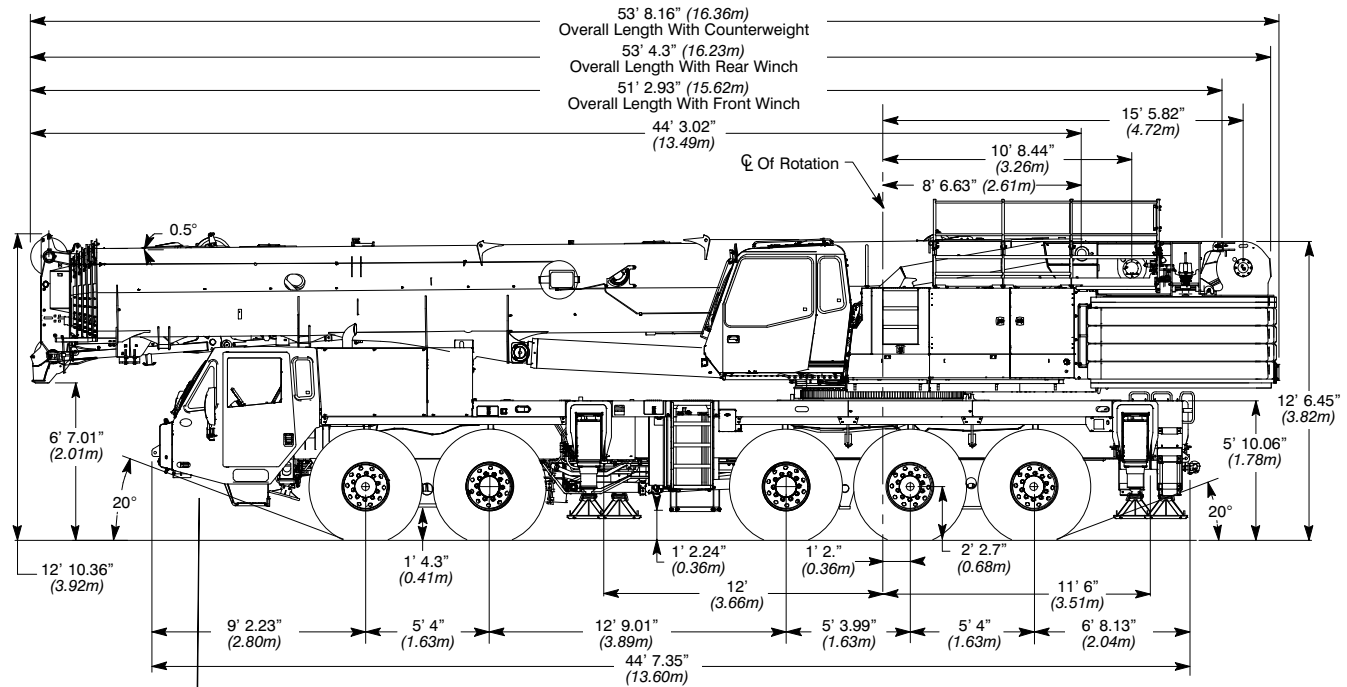
Base crane with full tanks of fuel and no counterweight	Gross Vehicle Weight <sup>(1)</sup>	Axle 1	Axle 2	Axle 3	Axle 4	Axle 5	Dolly
	kg	kg	kg	kg	kg	kg	kg
	55 603	8 835	8 619	8 971	9 286	9 196	10 697
Nelson 2 - axle boom dolly <sup>(2)</sup>	994	0	0	0	0	0	2 994
Nelson 2 - axle boom dolly <sup>(2)</sup>	4 264	0	0	0	0	0	4 264
Driver in carrier cab	113	80	80	-15	-15	-15	0
Remove pontoons	-195	-7	-7	-61	-61	-61	0
Ether injector	2	2	2	0	0	0	0
Rear pintle hook	20	-6	-6	10	10	10	0
16.00R25 (445/95R25) tires (instead of standard)	-457	-92	-92	-92	-92	-92	0
Carrier cab strobe light	2	2	2	0	0	0	0
Hoist drum follower - main	44	14	14	5	5	5	0
Auxiliary winch with 700 ft (213m) of 7/8" (22mm) wire rope	1 402	513	513	125	125	125	0
Remove auxiliary winch with 700 ft (213m) of 7/8" (22mm) wire rope	-1 326	-494	-494	-112	-112	-112	0
Hoist drum follower - auxiliary	44	19	19	2	2	2	0
Remove 950 ft (289.5m) of wire rope from front (main) winch	-660	-189	-189	-94	-94	-94	0
Remove 700 ft (213m) of wire rope from rear (auxiliary) winch	-503	-166	-166	-57	-57	-57	0
Substitute 700 ft (213m) of rope with 950 ft (289.5m) of rope - rear (auxiliary)	156	51	51	18	18	18	0
Substitute 950 ft (289.5m) of rope with 700 ft (213m) of rope - front (main)	-156	-44	-44	-22	-22	-22	0
360° mechanical swing lock	68	27	27	5	5	5	0
Boom launching option	35	-5	-5	15	15	15	0
Floodlight to the front of the boom base section	8	1	1	1	1	1	5
Fly mounting brackets to boom base section for fly options	135	10	10	7	7	7	95
12 ft (3.65m) manual and hydraulically offsettable, lattice fly - stowed	1 039	-13	-13	-10	-10	-10	1 097
12-40 ft (3.65-12.2m) manual and hydraulically offsettable, two-piece (bi-fold) lattice fly - stowed	1 735	67	67	50	50	50	1 451
12-40-67 ft (3.65-12.2-20.4m) manual and hydraulically offsettable, three-piece (bi-fold) lattice fly - stowed	2 259	136	136	103	103	103	1 680
Additional components for hydraulically offsettable fly	192	10	10	8	8	8	148
Auxiliary lifting sheave	51	-3	-3	-2	-2	-2	63
35 ton (31.8t) 1 sheave hook block at boom head	499	-23	-23	-17	-17	-17	597
66 ton (60t) 3 sheave hook block at boom head	862	-40	-40	-30	-30	-30	1 031
100 ton (91t) 5 sheave hook block at boom head	1 021	-47	-47	-35	-35	-35	1 222
140 ton (127t) 7 sheave hook block at boom head	1 293	-59	-59	-45	-45	-45	1 547
12 ton (10.9t) hookball at boom head	327	-15	-15	-11	-11	-11	392

<sup>(1)</sup> Adjust gross vehicle weight and axle loading according to component weight. All weights are  $\pm 3\%$ .

<sup>(2)</sup> Weights may vary.

Tire	Maximum Axle Load @ 80.5kph Average Speed
20.5R25 (525/80R25) on aluminum disc wheels	12 702.4kg
16.00R25 (445/95R25) on aluminum disc wheels	13 255.8kg

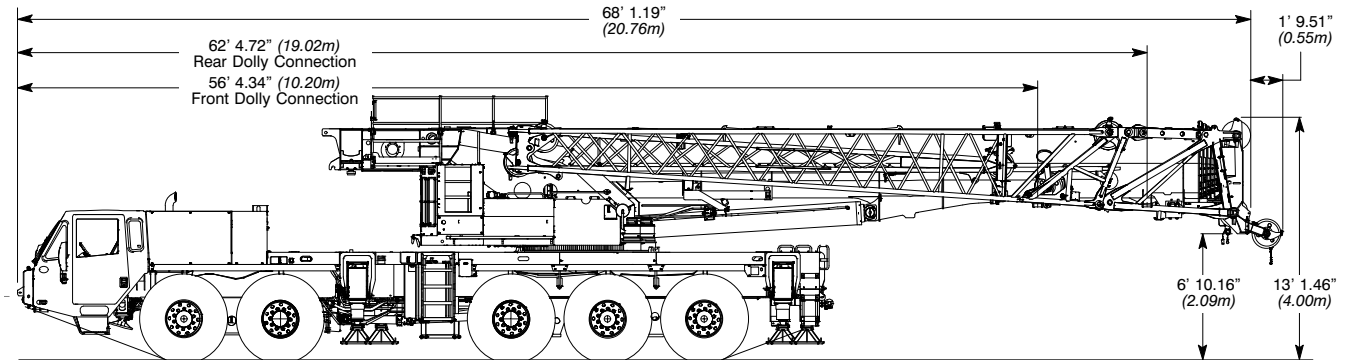
# General Dimensions



Turning Radius	20.5R25		16.00R25	
	English	Metric	English	Metric
Wall to wall over carrier	42' 0"	12.8m	41' 6"	12.6m
Wall to wall over boom	42' 6"	12.9m	42' 2"	12.8m
Wall to wall over boom attachment	44' 11"	13.7m	44' 6"	13.5m
Curb to curb	37' 1"	11.3m	36' 3"	11.04m
Centerline of tire	36' 2"	11.0m	35' 6"	10.8m

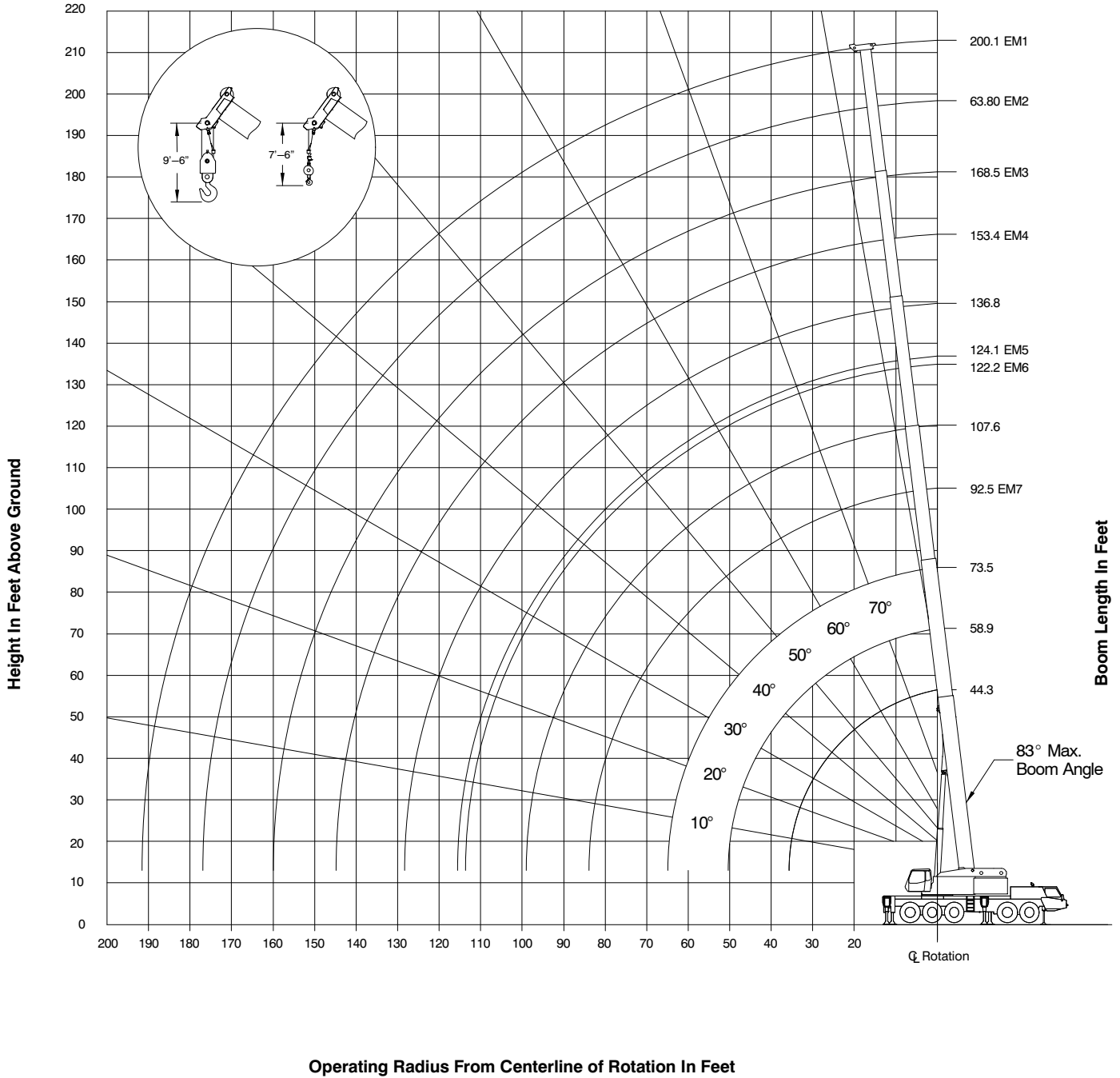
Tail Swing	English	Metric
With auxiliary winch	16' 11"	5.1m
Without auxiliary winch	14' 8"	4.7m
With Counterweight	17' 1"	5.21m

Overall Width	English	Metric
With 14,000 lb (6 350kg) counterweight	9' 10"	3.0m
With 36,000-115,000 lb (16 329-52 390kg) counterweight	10' 3"	3.1m

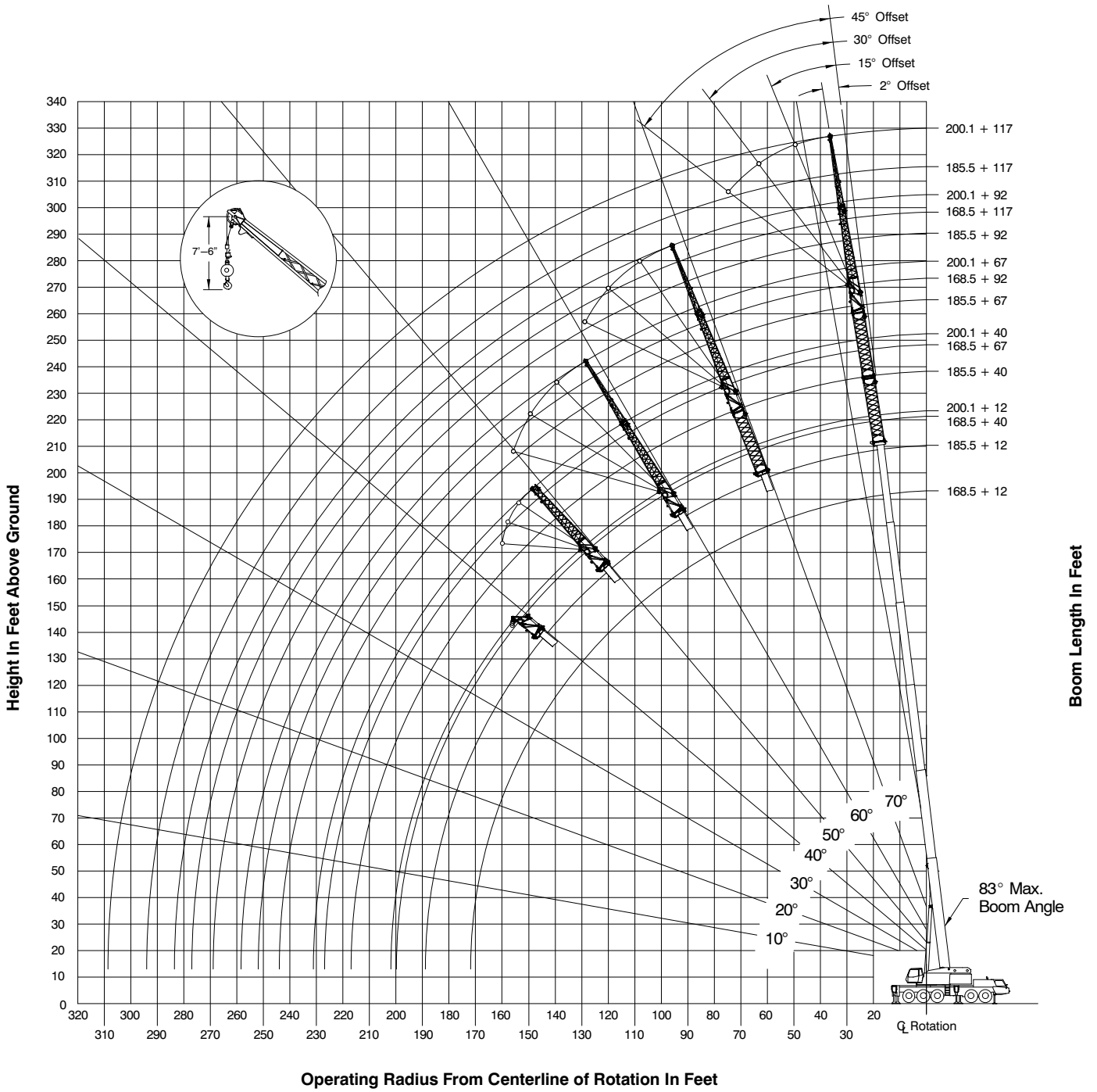


Not To Scale

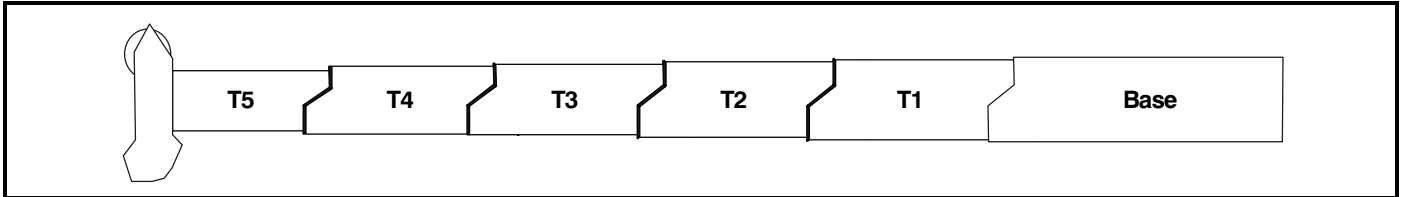
# Working Range Diagram – Main Boom



# Working Range Diagram – Main Boom + Fly



# Boom Extend Modes



EM 1	Boom Length		Telescope Length				
	ft	m	T5	T4	T3	T2	T1
	44.3	13.5					
73.5	22.4	100%					
103.8	31.6	100%	100%				
134.9	41.1	100%	100%	100%			
167.1	50.9	100%	100%	100%	100%		
183.6	56.0	100%	100%	100%	100%	50%	
200.1	61.0	100%	100%	100%	100%	100%	

EM 2	Boom Length		Telescope Length				
	ft	m	T5	T4	T3	T2	T1
	44.3	13.5					
58.9	18.0	50%					
89.1	27.2	50%	100%				
120.3	36.7	50%	100%	100%			
152.4	46.5	50%	100%	100%	100%		
169.0	51.5	50%	100%	100%	100%	50%	
185.5	56.5	50%	100%	100%	100%	100%	

EM 3	Boom Length		Telescope Length				
	ft	m	T5	T4	T3	T2	T1
	44.3	13.5					
73.5	22.4	100%					
103.8	31.6	100%	100%				
119.3	36.4	100%	100%	50%			
135.4	41.3	100%	100%	50%	50%		
152.0	46.3	100%	100%	50%	50%	50%	
168.5	51.4	100%	100%	50%	50%	100%	

EM 4	Boom Length		Telescope Length				
	ft	m	T5	T4	T3	T2	T1
	44.3	13.5					
73.5	22.4	100%					
88.6	27.0	100%	50%				
104.2	31.8	100%	50%	50%			
120.3	36.7	100%	50%	50%	50%		
136.8	41.7	100%	50%	50%	50%	50%	
153.4	46.8	100%	50%	50%	50%	100%	

EM 5	Boom Length		Telescope Length				
	ft	m	T5	T4	T3	T2	T1
	44.3	13.5					
58.9	18.0	50%					
74.0	22.6	50%	50%				
89.6	27.3	50%	50%	50%			
105.7	32.2	50%	50%	50%	50%		
122.2	37.3	50%	50%	50%	50%	50%	

EM 6	Boom Length		Telescope Length				
	ft	m	T5	T4	T3	T2	T1
	44.3	13.5					
59.4	18.1		50%				
75.0	22.9		50%	50%			
91.0	27.7		50%	50%	50%		
107.6	32.8		50%	50%	50%	50%	
124.1	37.8		50%	50%	50%	50%	

EM 7	Boom Length		Telescope Length				
	ft	m	T5	T4	T3	T2	T1
	44.3	13.5					
59.9	18.3			50%			
75.9	23.1			50%	50%		
92.5	28.2			50%	50%	50%	

# Main Boom Lift Capacity Charts – Standard

0 lb Counterweight - Fully Extended Outriggers - 360° Rotation (All Capacities Are Listed In Pounds)									
Radius (ft)	Boom Length (ft)								Radius (ft)
	44.27	58.9-59.8	73.5-75.9	88.6-92.4	103.7-107.5	119.3-124.1	134.9-136.8	151.9-153.3	
10	276,600	278,200	262,200	212,200					10
12	244,100	247,500	245,100	212,200					12
15	195,400	199,400	200,100	198,500	128,900				15
20	144,300	148,500	149,700	149,200	147,400	120,900	91,400		20
25	86,100	94,600	98,000	98,700	97,400	94,600	91,400	65,300	25
30	55,200	63,000	67,100	68,700	68,700	67,500	65,600	65,300	30
35	37,900	45,500	49,200	50,700	51,700	51,500	51,400	48,500	35
40		34,300	37,800	39,200	40,100	39,900	39,800	37,100	40
45		26,400	30,100	31,400	32,300	32,100	32,000	29,500	45
50		20,600	24,300	25,600	26,400	26,300	26,200	23,800	50
55			19,700	21,200	22,000	21,800	21,700	19,400	55
60			16,200	17,600	18,400	18,300	18,200	16,200	60
65			12,500	14,800	15,700	15,700	15,600	13,400	65
70				12,400	13,400	13,300	13,200	11,100	70
75				10,400	11,300	11,300	11,300	9,200	75
80				8,700	9,600	9,700	9,600	7,500	80
85					8,100	8,200	8,200	6,100	85
90					6,800	6,900	6,900	4,900	90
95					5,700	5,700	5,800	3,800	95
100						4,700	4,800	2,900	100
105						3,800	3,900		105
110						3,100	3,100		110
115							2,300		115

Note: Capacities depict multiple boom modes.

This information is not for crane operation. Operator must refer to the in-cab information for crane operation. Rated lifting capacities shown on fully extended outriggers do not exceed 85% of the tipping loads.



36,000 lb Counterweight - Fully Extended Outriggers - 360° Rotation (All Capacities Are Listed In Pounds)												
Radius (ft)	Boom Length (ft)											Radius (ft)
	44.3	58.9-59.8	73.5-75.9	88.6-92.4	103.7-107.5	119.3-124.1	134.9-136.8	151.9-153.3	167-168.9	183.6-185.5	200.1	
10	284,500	285,800	262,200	212,200								10
12	255,100	257,000	255,100	212,200								12
15	220,100	222,600	221,100	205,500	128,900							15
20	163,600	167,700	168,800	168,100	166,100	129,700	91,400					20
25	128,100	132,400	133,600	133,200	131,700	120,900	91,400	73,000	41,200			25
30	100,800	108,400	110,800	110,000	110,500	108,200	85,500	73,000	55,000	41,300		30
35	73,200	80,800	83,300	83,700	82,800	80,700	79,100	73,000	55,000	41,300	33,000	35
40		63,100	65,600	66,000	65,200	66,900	65,000	63,400	55,000	41,300	33,000	40
45		50,700	54,100	54,100	55,500	54,500	52,800	53,500	52,100	41,300	33,000	45
50		41,700	45,300	46,600	46,600	45,700	46,400	44,700	43,400	41,300	33,000	50
55			38,300	39,700	39,700	40,300	39,400	37,800	37,600	37,400	33,000	55
60			32,800	34,300	35,000	34,800	34,700	32,700	33,500	32,300	31,300	60
65			27,500	29,800	30,700	30,600	30,500	28,300	29,100	27,900	26,900	65
70				26,100	27,000	26,900	26,800	24,700	25,500	24,300	23,400	70
75				23,000	23,900	23,900	23,700	21,600	22,500	21,300	20,300	75
80				20,400	21,200	21,200	21,100	19,100	19,900	18,700	17,800	80
85					18,900	19,000	18,900	17,000	17,600	16,800	15,900	85
90					17,000	17,100	17,100	15,100	15,900	14,800	13,900	90
95					15,300	15,300	15,400	13,400	14,200	13,100	12,200	95
100						13,800	13,800	11,900	12,700	11,600	10,800	100
105							12,400	12,400	10,600	11,300	10,300	105
110							11,200	11,200	9,300	10,100	9,100	110
115							3,600	10,000	8,200	9,100	8,000	115
120								9,000	7,200	8,000	7,000	120
125								8,100	6,300	7,100	6,100	125
130									5,500	6,300	5,300	130
135									4,700	5,500	4,600	135
140									4,000	4,800	3,800	140
145										4,100	3,200	145
150										3,600	2,600	150
155										3,000		155

Note: Capacities depict multiple boom modes.

This information is not for crane operation. Operator must refer to the in-cab information for crane operation. Rated lifting capacities shown on fully extended outriggers do not exceed 85% of the tipping loads.

# Main Boom Lift Capacity Charts – Optional

58,000 lb Counterweight - Fully Extended Outriggers - 360° Rotation (All Capacities Are Listed In Pounds)												
Radius (ft)	Boom Length (ft)											Radius (ft)
	44.27	58.9-59.8	73.5-75.9	88.6-92.4	103.7-107.5	119.3-124.1	134.9-136.8	151.9-153.3	167-168.9	183.6-185.5	200.1	
10	288,300	289,400	262,200	212,200								10
12	259,500	261,200	256,800	212,200								12
15	224,000	226,300	224,900	205,500	128,900							15
20	175,400	179,400	178,100	176,400	172,300	129,700	91,400					20
25	137,700	141,900	143,100	142,600	140,900	120,900	91,400	73,000	41,200			25
30	111,900	117,200	117,600	117,300	115,800	117,400	85,500	73,000	55,000	41,300		30
35	93,100	98,500	99,800	99,200	100,600	99,100	79,100	73,000	55,000	41,300	33,000	35
40		80,700	83,200	83,600	82,700	80,800	73,500	69,700	55,000	41,300	33,000	40
45		65,600	68,300	68,700	67,900	66,100	67,600	63,800	55,000	41,300	33,000	45
50		54,600	57,300	57,700	56,900	58,400	56,700	55,300	53,500	41,300	33,000	50
55			48,800	49,400	51,100	50,200	48,500	48,900	47,900	41,300	33,000	55
60			42,100	43,100	44,400	43,500	42,700	42,600	41,400	40,200	33,000	60
65			36,700	38,900	39,000	38,200	38,800	37,300	36,000	35,000	33,000	65
70				34,500	34,700	34,100	34,500	33,100	31,900	32,700	31,800	70
75				30,700	30,900	31,600	30,800	29,400	28,500	29,000	28,100	75
80				26,900	27,700	28,400	27,600	26,200	26,700	25,900	24,900	80
85					25,400	25,600	25,300	23,500	24,300	23,200	22,200	85
90					23,200	23,200	23,200	21,100	21,900	20,800	19,900	90
95					21,100	21,100	21,100	19,100	19,800	18,700	17,800	95
100						19,200	19,200	17,200	18,000	17,100	16,300	100
105						17,500	17,500	15,800	16,600	15,500	14,600	105
110						16,100	16,100	14,300	15,100	14,100	13,200	110
115						8,300	14,800	12,900	13,800	12,700	11,900	115
120							13,500	11,700	12,500	11,500	10,700	120
125							12,400	10,600	11,400	10,400	9,600	125
130								9,600	10,400	9,400	8,600	130
135								8,600	9,400	8,500	7,700	135
140								7,800	8,600	7,600	6,800	140
145									7,800	6,800	6,000	145
150									7,100	6,100	5,300	150
155									6,400	5,400	4,600	155
160									4,000	4,800	4,000	160
165										4,200	3,400	165
170										3,700	2,800	170
175											2,300	175

Note: Capacities depict multiple boom modes.

This information is not for crane operation. Operator must refer to the in-cab information for crane operation. Rated lifting capacities shown on fully extended outriggers do not exceed 85% of the tipping loads.

80,000 lb Counterweight - Fully Extended Outriggers - 360° Rotation (All Capacities Are Listed In Pounds)												
Radius (ft)	Boom Length (ft)											Radius (ft)
	44.3	58.9-59.8	73.5-75.9	88.6-92.4	103.7-107.5	119.3-124.1	134.9-136.8	151.9-153.3	167-168.9	183.6-185.5	200.1	
10	291,800	292,600	262,200	212,200								10
12	263,100	264,700	256,800	212,200								12
15	227,800	230,100	228,400	205,500	128,900							15
20	184,200	187,100	186,000	184,500	172,300	129,700	91,400					20
25	147,200	151,400	152,600	149,000	150,400	120,900	91,400	73,000	41,200			25
30	120,000	124,200	125,500	125,100	123,600	118,300	85,500	73,000	55,000	41,300		30
35	100,100	105,400	105,800	105,500	104,200	105,800	79,100	73,000	55,000	41,300	33,000	35
40		90,400	90,800	90,700	91,600	91,000	73,500	69,700	55,000	41,300	33,000	40
45		78,600	80,800	81,400	80,900	79,500	68,600	63,800	55,000	41,300	33,000	45
50		66,400	70,100	70,500	69,700	68,100	64,100	58,600	53,500	41,300	33,000	50
55			60,100	60,700	59,900	58,300	59,700	54,100	50,500	41,300	33,000	55
60			52,300	52,900	52,100	53,300	51,900	50,100	47,600	40,200	33,000	60
65			45,300	46,600	46,000	47,400	45,800	44,500	44,300	37,800	33,000	65
70				41,300	43,000	42,200	40,600	40,800	40,100	35,600	33,000	70
75				36,900	38,500	37,800	36,200	36,900	35,700	33,700	32,600	75
80				33,200	34,700	34,200	33,700	33,400	32,200	31,200	30,800	80
85					31,600	30,900	31,600	30,200	29,000	28,000	28,900	85
90					28,700	28,100	28,800	27,400	26,300	25,800	26,100	90
95					25,500	25,700	26,300	24,900	23,800	24,400	23,700	95
100						24,500	24,100	22,800	21,700	22,400	21,500	100
105							22,700	22,100	20,800	19,900	19,600	105
110							21,000	20,300	19,100	18,900	17,900	110
115							13,000	18,700	17,500	17,900	16,600	115
120								17,600	16,200	17,000	15,200	120
125								16,700	14,900	15,700	13,900	125
130									13,700	14,500	12,700	130
135									12,600	13,400	11,600	135
140									11,600	12,400	10,600	140
145										11,400	9,700	145
150										10,600	8,800	150
155										9,800	8,000	155
160										7,200	7,300	160
165											7,400	165
170											6,700	170
175											4,500	175
180												180
185												185

Note: Capacities depict multiple boom modes.

This information is not for crane operation. Operator must refer to the in-cab information for crane operation. Rated lifting capacities shown on fully extended outriggers do not exceed 85% of the tipping loads.

**102,000 lb Counterweight - Fully Extended Outriggers - 360° Rotation  
(All Capacities Are Listed In Pounds)**

Radius (ft)	Boom Length (ft)											Radius (ft)
	44.3	58.9-59.8	73.5-75.9	88.6-92.4	103.7-107.5	119.3-124.1	134.9-136.8	151.9-153.3	167-168.9	183.6-185.5	200.1	
10	295,200	295,700	262,200	212,200								10
12	266,300	267,700	256,800	212,200								12
15	231,400	233,500	231,800	205,500	128,900							15
20	187,400	190,300	189,100	184,600	172,300	129,700	91,400					20
25	156,100	159,200	158,300	157,100	153,000	120,900	91,400	73,000	41,200			25
30	128,000	132,300	133,500	131,200	131,600	118,300	85,500	73,000	55,000	41,300		30
35	107,000	111,400	112,700	112,500	111,100	107,800	79,100	73,000	55,000	41,300	33,000	35
40		96,500	97,000	96,800	95,500	97,100	73,500	69,700	55,000	41,300	33,000	40
45		84,100	84,600	84,400	83,900	84,900	68,600	63,800	55,000	41,300	33,000	45
50		73,100	76,200	76,400	76,300	74,900	64,100	58,600	53,500	41,300	33,000	50
55			68,000	68,600	68,100	66,800	60,400	54,100	50,500	41,300	33,000	55
60			61,100	61,700	61,200	59,900	57,000	50,100	47,600	40,200	33,000	60
65			53,200	55,700	55,100	53,500	54,000	46,500	44,300	37,800	33,000	65
70				49,700	49,200	47,700	49,000	43,300	41,400	35,600	33,000	70
75				44,600	44,100	45,200	44,000	40,500	38,700	33,700	32,600	75
80				39,500	39,800	41,200	39,700	37,900	36,400	31,900	30,800	80
85					36,800	37,500	36,000	34,900	34,200	30,200	29,100	85
90					34,900	34,300	33,000	33,300	32,200	28,600	27,600	90
95					30,000	31,400	30,100	30,800	29,700	27,200	26,200	95
100						28,900	27,600	28,300	27,200	25,800	25,000	100
105							26,700	26,300	26,000	25,000	24,000	105
110							24,700	25,200	24,000	23,000	22,000	110
115							17,700	23,400	22,200	21,200	20,200	115
120								21,800	20,500	19,500	18,900	120
125								20,300	19,000	18,000	18,000	125
130									17,700	16,800	17,200	130
135									16,500	15,500	16,400	135
140									15,400	14,400	15,200	140
145										13,300	14,100	145
150										12,700	13,100	150
155										12,100	12,200	155
160										10,200	11,300	160
165											10,500	165
170											9,800	170
175											7,500	175
180												180
185												185

Note: Capacities depict multiple boom modes.

This information is not for crane operation. Operator must refer to the in-cab information for crane operation. Rated lifting capacities shown on fully extended outriggers do not exceed 85% of the tipping loads.

115,500 lb Counterweight - Fully Extended Outriggers - 360° Rotation (All Capacities Are Listed In Pounds)												
Radius (ft)	Boom Length (ft)											Radius (ft)
	44.3	58.9-59.8	73.5-75.9	88.6-92.4	103.7-107.5	119.3-124.1	134.9-136.8	151.9-153.3	167-168.9	183.6-185.5	200.1	
8	420,000 **											8
10	300,000	297,300	262,200	212,200								10
12	268,200	269,500	256,800	212,200								12
15	233,200	235,200	232,200	205,500	128,900							15
20	189,400	192,100	191,000	184,600	172,300	129,700	91,400					20
25	157,800	160,900	160,000	158,700	153,000	120,900	91,400	73,000	41,200			25
30	133,000	137,200	136,300	135,000	136,500	118,300	85,500	73,000	55,000	41,300		30
35	111,300	115,700	117,000	116,700	115,300	107,800	79,100	73,000	55,000	41,300	33,000	35
40		99,400	100,700	100,500	99,200	98,900	73,500	69,700	55,000	41,300	33,000	40
45		87,400	87,800	87,700	86,500	88,000	68,600	63,800	55,000	41,300	33,000	45
50		76,100	77,500	77,400	77,400	77,900	64,100	58,600	53,500	41,300	33,000	50
55			70,700	70,800	70,800	69,400	60,400	54,100	50,500	41,300	33,000	55
60			63,700	64,200	63,800	62,400	57,000	50,100	47,600	40,200	33,000	60
65			55,900	58,200	57,700	56,300	54,000	46,500	44,300	37,800	33,000	65
70				53,000	52,500	51,300	51,300	43,300	41,400	35,600	33,000	70
75				48,500	48,000	46,800	48,100	40,500	38,700	33,700	32,600	75
80				42,200	44,100	42,900	44,100	37,900	36,400	31,900	30,800	80
85					40,100	40,900	40,100	35,600	34,200	30,200	29,100	85
90					36,600	38,000	36,600	33,400	32,200	28,600	27,600	90
95					33,600	34,900	33,700	31,700	30,300	27,200	26,200	95
100						32,300	31,000	30,400	28,600	25,800	25,000	100
105						29,900	28,500	29,100	27,100	24,400	23,800	105
110						25,000	26,400	27,100	25,600	23,000	22,400	110
115						20,600	24,400	25,100	24,100	21,600	21,400	115
120							23,300	23,300	22,300	20,400	20,400	120
125							21,000	21,700	20,700	19,400	19,600	125
130								20,200	19,200	18,300	18,700	130
135								18,800	17,800	17,100	17,700	135
140								17,600	16,700	15,900	16,700	140
145									15,500	15,000	15,600	145
150									14,500	14,400	14,500	150
155									13,500	13,800	13,500	155
160									10,200	13,200	12,500	160
165										12,500	11,700	165
170										11,700	10,800	170
175										9,300	10,100	175
180											9,400	180
185											8,700	185

Note: Capacities depict multiple boom modes.  
 \*\* Over rear intermediate outriggers, additional equipment required.

This information is not for crane operation. Operator must refer to the in-cab information for crane operation. Rated lifting capacities shown on fully extended outriggers do not exceed 85% of the tipping loads.

# Manual & Hydraulic Offset Fly Attachment Lift Capacity Charts – Optional

**36,000 lb Counterweight - Fully Extended Outriggers - 360° Rotation**  
**(All Capacities Are Listed In Pounds)**

**Main Boom + 12 ft Offset Fly (Manual Offsets 2°, 15°, 30°, 45° & Hydraulic Offsets 2° - 45°)**

Radius (ft)	Main Boom Length (ft)											Radius (ft)
	44.3	58.9	73.5	89.1	103.7	119.3-120.3	134.9-135.4	151.9-152.4	167-168.9	183.6-185.5	200.1	
10	69,600	69,500	69,400									10
12	69,600	69,500	69,400									12
15	69,600	69,500	69,400	69,400	62,700		43,000					15
20	69,600	69,500	69,400	69,400	62,700	61,700	42,600			35,600		20
25	69,600	69,500	69,400	69,400	61,800	61,500	55,600	55,500	43,800	35,800		25
30	66,700	69,500	64,100	62,300	55,000	58,300	55,600	55,200	43,500	35,400	28,400	30
35	61,800	69,400	57,500	56,000	49,400	52,600	55,600	55,200	43,200	35,400	28,100	35
40	57,700	64,900	51,300	50,700	45,000	48,000	51,100	53,400	43,200	35,400	28,100	40
45	49,700	52,600	46,300	46,300	41,100	44,300	47,200	49,600	43,200	35,400	28,100	45
50		43,800	42,600	42,600	37,700	40,900	43,900	43,600	42,200	35,400	28,100	50
55		37,000	38,800	38,700	34,800	37,900	38,400	36,700	35,300	34,100	28,100	55
60		31,800	33,500	33,400	32,200	34,100	33,200	31,600	32,300	31,000	28,100	60
65			29,100	29,000	30,000	29,700	29,400	27,200	27,900	26,700	25,600	65
70			25,500	25,400	26,400	26,100	25,800	23,600	24,300	23,100	22,000	70
75			22,600	22,400	23,300	23,000	22,700	20,600	21,200	20,000	19,000	75
80				19,800	20,700	20,400	20,100	18,000	18,700	17,500	16,800	80
85				17,600	18,500	18,200	17,900	16,000	16,700	15,500	14,600	85
90				15,800	16,700	16,400	16,100	14,100	14,700	13,600	12,700	90
95					15,000	14,600	14,400	12,400	13,000	11,900	11,000	95
100					13,500	13,100	12,900	10,900	11,500	10,400	9,500	100
105					12,200	11,800	11,500	9,600	10,200	9,100	8,200	105
110						10,600	10,300	8,400	9,000	7,900	7,000	110
115						9,500	9,300	7,300	7,900	6,800	5,900	115
120						8,600	8,300	6,300	6,900	5,900	4,900	120
125							7,400	5,400	6,000	5,000	4,100	125
130							6,600	4,600	5,200	4,200	3,300	130
135							5,900	3,900	4,500	3,400	2,500	135
140								3,200	3,800	2,700		140
145								2,600	3,200	2,100		145
150									2,600			150
155									2,100			155

Note: Capacities depict multiple boom modes.

This information is not for crane operation. Operator must refer to the in-cab information for crane operation. Rated lifting capacities shown on fully extended outriggers do not exceed 85% of the tipping loads.

115,500 lb Counterweight - Fully Extended Outriggers - 360° Rotation (All Capacities Are Listed In Pounds)												
Main Boom + 12 ft Offset Fly (Manual Offsets 2°, 15°, 30°, 45° & Hydraulic Offsets 2° - 45°)												
Radius (ft)	Main Boom Length (ft)											Radius (ft)
	44.3	58.9	73.5	89.1	103.7	119.3-120.3	134.9-135.4	151.9-152.4	167-168.9	183.6-185.5	200.1	
10	69,600	69,500	69,400									10
12	69,600	69,500	69,400									12
15	69,600	69,500	69,400	69,400	62,700		43,000					15
20	69,600	69,500	69,400	69,400	62,700	61,700	42,600		35,600			20
25	69,600	69,500	69,400	69,400	61,800	61,500	55,600	55,500	43,800	35,800		25
30	66,700	69,500	64,100	62,300	55,000	58,300	55,600	55,200	43,500	35,400	28,400	30
35	61,800	69,400	57,500	56,000	49,400	52,600	55,600	55,200	43,200	35,400	28,100	35
40	57,700	66,200	51,300	50,700	45,000	48,000	51,100	53,400	43,200	35,400	28,100	40
45	54,700	62,300	46,300	46,300	41,100	44,300	47,200	49,600	43,200	35,400	28,100	45
50		59,000	42,600	42,600	37,700	40,900	43,900	46,300	43,200	35,400	28,100	50
55		55,900	39,000	38,900	34,800	37,900	40,900	43,300	43,200	35,400	28,100	55
60		53,000	35,900	35,800	32,200	35,300	38,200	40,700	42,100	35,400	28,100	60
65			33,200	33,000	30,000	33,000	35,900	38,300	39,800	35,200	28,100	65
70			30,900	30,600	27,900	31,000	33,800	36,200	37,800	33,100	28,100	70
75			28,900	28,500	25,900	29,100	31,900	34,300	35,900	31,100	28,100	75
80				26,600	24,200	27,400	30,200	32,500	34,200	29,400	28,100	80
85				25,000	22,600	25,700	28,600	30,900	32,500	27,700	26,800	85
90				23,500	21,500	24,200	27,100	29,400	30,500	26,200	25,300	90
95					20,100	22,800	25,700	28,100	28,700	24,800	23,900	95
100					18,900	21,800	24,300	26,800	27,000	23,500	22,700	100
105					17,900	20,600	23,100	25,600	25,400	22,000	21,400	105
110						19,500	22,100	24,400	24,000	21,000	20,400	110
115						18,600	21,000	23,300	22,700	20,000	19,400	115
120						17,700	20,100	22,300	21,200	19,000	18,400	120
125							19,200	20,800	19,600	17,900	17,500	125
130							18,400	19,300	18,200	16,900	16,700	130
135							17,600	18,000	17,000	16,000	15,900	135
140								16,900	15,800	14,800	15,200	140
145								15,800	14,700	13,700	14,400	145
150								11,300	13,600	12,600	13,300	150
155									12,600	11,900	12,300	155
160									11,700	11,300	11,400	160
165									10,900	10,800	10,600	165
170									10,100	10,300	9,800	170
175										9,800	9,000	175
180										9,200	8,300	180
185											7,700	185
190											7,100	190
195											6,500	195

Note: Capacities depict multiple boom modes.

This information is not for crane operation. Operator must refer to the in-cab information for crane operation. Rated lifting capacities shown on fully extended outriggers do not exceed 85% of the tipping loads.

# Manual Offset Fly Attachment Lift Capacity Charts – Optional

**36,000 lb Counterweight - Fully Extended Outriggers - 360° Rotation**  
**(All Capacities Are Listed In Pounds)**

**200.1 ft Main Boom Length**

Radius (ft)	40 ft Manual Offset Fly				67 ft Manual Offset Fly				Radius (ft)
	2°	15°	30°	45°	2°	15°	30°	45°	
35	16,100								35
40	16,100				10,800				40
45	16,100	16,000			10,800				45
50	16,100	16,000			10,800				50
55	16,100	16,000			10,800				55
60	16,100	16,000	15,900		10,800				60
65	16,100	16,000	15,900	15,600	10,800	10,800			65
70	16,100	16,000	15,900	15,600	10,800	10,800			70
75	16,100	16,000	15,900	15,600	10,800	10,800			75
80	16,100	16,000	15,900	15,600	10,800	10,800	10,700		80
85	15,700	16,000	15,900	15,600	10,800	10,800	10,700		85
90	13,700	14,900	15,900	15,600	10,800	10,800	10,700		90
95	12,000	13,100	14,200	15,000	10,800	10,800	10,700	10,300	95
100	10,500	11,500	12,500	13,300	10,800	10,800	10,700	10,100	100
105	9,100	10,100	11,000	11,700	9,900	10,800	10,700	9,900	105
110	7,900	8,800	9,600	10,300	8,700	10,200	10,700	9,800	110
115	6,800	7,600	8,400	9,000	7,600	9,000	10,500	9,600	115
120	5,800	6,600	7,300	7,900	6,600	7,900	9,300	9,500	120
125	4,900	5,600	6,300	6,800	5,700	6,900	8,200	9,300	125
130	4,100	4,800	5,400	5,900	4,800	6,000	7,200	8,200	130
135	3,300	4,000	4,600	5,000	4,000	5,200	6,300	7,200	135
140	2,600	3,200	3,800	4,200	3,300	4,400	5,500	6,300	140
145		2,600	3,100	3,400	2,700	3,700	4,700	5,500	145
150			2,400	2,700	2,100	3,000	4,000	4,700	150
155				2,100		2,400	3,300	3,900	155
160							2,700	3,300	160
165							2,100	2,600	165

This information is not for crane operation. Operator must refer to the in-cab information for crane operation. Rated lifting capacities shown on fully extended outriggers do not exceed 85% of the tipping loads.



115,500 lb Counterweight - Fully Extended Outriggers - 360° Rotation (All Capacities Are Listed In Pounds)									
200.1 ft Main Boom Length									
Radius (ft)	40 ft Manual Offset Fly				67 ft Manual Offset Fly				Radius (ft)
	2°	15°	30°	45°	2°	15°	30°	45°	
35	16,100								35
40	16,100				10,800				40
45	16,100	16,000			10,800				45
50	16,100	16,000			10,800				50
55	16,100	16,000			10,800				55
60	16,100	16,000	15,900		10,800				60
65	16,100	16,000	15,900	15,600	10,800	10,800			65
70	16,100	16,000	15,900	15,600	10,800	10,800			70
75	16,100	16,000	15,900	15,600	10,800	10,800			75
80	16,100	16,000	15,900	15,600	10,800	10,800	10,700		80
85	16,100	16,000	15,900	15,600	10,800	10,800	10,700		85
90	16,100	16,000	15,900	15,600	10,800	10,800	10,700		90
95	16,100	16,000	15,900	15,600	10,800	10,800	10,700	10,300	95
100	16,100	16,000	15,900	15,600	10,800	10,800	10,700	10,100	100
105	16,100	16,000	15,900	15,600	10,800	10,800	10,700	9,900	105
110	16,100	16,000	15,900	15,600	10,800	10,800	10,700	9,800	110
115	16,100	16,000	15,900	15,600	10,800	10,800	10,700	9,600	115
120	16,100	16,000	15,900	15,600	10,800	10,800	10,700	9,500	120
125	16,000	16,000	15,900	15,600	10,800	10,800	10,500	9,400	125
130	15,300	15,300	15,200	15,200	10,800	10,800	10,300	9,200	130
135	14,500	14,500	14,500	14,500	10,800	10,800	10,100	9,100	135
140	13,800	13,800	13,900	13,900	10,800	10,800	9,900	9,000	140
145	13,200	13,200	13,200	13,200	10,800	10,800	9,700	8,900	145
150	12,600	12,600	12,600	12,600	10,800	10,800	9,600	8,800	150
155	12,000	12,000	12,100	12,100	10,800	10,800	9,400	8,700	155
160	11,400	11,500	11,500	11,500	10,600	10,500	9,300	8,600	160
165	10,900	11,000	11,000	11,000	10,100	10,300	9,100	8,500	165
170	10,400	10,500	10,500	10,500	9,700	9,800	9,000	8,400	170
175	9,700	10,000	10,000	10,100	9,200	9,300	8,900	8,400	175
180	9,000	9,300	9,600	9,600	8,800	8,900	8,700	8,300	180
185	8,300	8,600	8,900	9,000	8,400	8,500	8,600	8,300	185
190	7,700	8,000	8,200	8,300	8,000	8,100	8,200	8,200	190
195	7,100	7,400	7,600	7,600	7,600	7,700	7,800	7,900	195
200	6,500	6,800	6,900		7,100	7,400	7,500	7,500	200
205	6,000	6,200	6,400		6,600	7,000	7,100	7,200	205
210	5,500	5,700	5,800		6,100	6,500	6,800	6,800	210
215	5,000	5,200	5,300		5,600	6,000	6,300	6,400	215
220	4,600	4,700			5,100	5,500	5,800	5,800	220
225	4,200	4,300			4,700	5,000	5,300		225
230					4,300	4,600	4,800		230
235					3,900	4,100	4,300		235
240					3,500	3,700	3,800		240
245					3,100	3,300	3,400		245
250					2,800	2,900			250

This information is not for crane operation. Operator must refer to the in-cab information for crane operation. Rated lifting capacities shown on fully extended outriggers do not exceed 85% of the tipping loads.

**115,500 lb Counterweight - Fully Extended Outriggers - 360° Rotation**  
**(All Capacities Are Listed In Pounds)**

**200.1 ft Main Boom Length**

Radius (ft)	92 ft Manual Offset Fly				117 ft Manual Offset Fly				Radius (ft)
	2°	15°	30°	45°	2°	15°	30°	45°	
55	8,200								55
60	8,200				6,700				60
65	8,200				6,700				65
70	8,200				6,700	6,600			70
75	8,200	8,100			6,700	6,600			75
80	8,200	8,100			6,700	6,600			80
85	8,200	8,100			6,700	6,600			85
90	8,200	8,100	8,000		6,700	6,600			90
95	8,200	8,100	8,000		6,700	6,600	6,400		95
100	8,200	8,100	8,000	7,800	6,700	6,600	6,400		100
105	8,200	8,100	8,000	7,800	6,700	6,600	6,400	6,200	105
110	8,200	8,100	8,000	7,800	6,700	6,600	6,400	6,200	110
115	8,200	8,100	8,000	7,800	6,700	6,600	6,400	6,200	115
120	8,200	8,100	8,000	7,800	6,700	6,600	6,400	6,200	120
125	8,200	8,100	8,000	7,800	6,700	6,600	6,400	6,200	125
130	8,200	8,100	8,000	7,800	6,700	6,600	6,400	6,200	130
135	8,200	8,100	8,000	7,800	6,700	6,600	6,400	6,200	135
140	8,200	8,100	8,000	7,800	6,700	6,600	6,400	6,200	140
145	8,200	8,100	8,000	7,800	6,700	6,600	6,400	6,100	145
150	8,200	8,100	8,000	7,700	6,700	6,600	6,300	5,900	150
155	8,200	8,100	8,000	7,500	6,700	6,600	6,100	5,800	155
160	8,200	8,100	7,900	7,400	6,700	6,400	5,900	5,600	160
165	8,200	8,100	7,700	7,200	6,700	6,200	5,700	5,400	165
170	8,200	8,100	7,500	7,100	6,500	6,000	5,500	5,300	170
175	8,000	8,100	7,400	7,000	6,300	5,800	5,400	5,100	175
180	7,600	7,800	7,200	6,900	6,100	5,600	5,200	4,900	180
185	7,200	7,400	7,100	6,700	5,800	5,400	5,000	4,800	185
190	6,800	7,000	6,900	6,600	5,600	5,200	4,800	4,600	190
195	6,500	6,700	6,800	6,500	5,400	5,000	4,700	4,500	195
200	6,100	6,300	6,500	6,400	5,100	4,800	4,500	4,400	200
205	5,800	6,000	6,100	6,200	4,700	4,600	4,400	4,200	205
210	5,500	5,600	5,800	5,900	4,400	4,500	4,200	4,100	210
215	5,200	5,300	5,500	5,600	4,100	4,300	4,100	4,000	215
220	4,900	5,000	5,200	5,300	3,800	4,100	3,900	3,900	220
225	4,500	4,800	4,900	5,000	3,600	3,800	3,800	3,800	225
230	4,100	4,500	4,600	4,700	3,300	3,500	3,700	3,600	230
235	3,700	4,100	4,300	4,400	3,100	3,300	3,500	3,500	235
240	3,300	3,700	4,000	4,000	2,800	3,000	3,200	3,300	240
245	2,900	3,300	3,500	3,500	2,600	2,800	2,900	3,000	245
250	2,600	2,900	3,100		2,400	2,600	2,700	2,800	250
255	2,300	2,500	2,700			2,300	2,500	2,500	255
260		2,200	2,300				2,200	2,300	260

This information is not for crane operation. Operator must refer to the in-cab information for crane operation. Rated lifting capacities shown on fully extended outriggers do not exceed 85% of the tipping loads.

# Hydraulic Offset Fly Attachment Lift Capacity Charts – Optional

**36,000 lb Counterweight - Fully Extended Outriggers - 360° Rotation**  
 (All Capacities Are Listed In Pounds)

200.1 ft Main Boom Length							
Radius (ft)	40 ft Hydraulic Offset Fly			67 ft Hydraulic Offset Fly			Radius (ft)
	2° - 15°	15° - 30°	30° - 45°	2° - 15°	15° - 30°	30° - 45°	
35	16,100						35
40	16,100			10,800			40
45	16,000	16,000		10,800			45
50	16,000	16,000		10,800			50
55	16,000	16,000		10,800			55
60	16,000	15,900	15,900	10,800			60
65	16,000	15,900	15,600	10,800	10,800		65
70	16,000	15,900	15,600	10,800	10,800		70
75	16,000	15,900	15,600	10,800	10,800		75
80	16,000	15,900	15,600	10,800	10,700	10,700	80
85	15,700	15,900	15,600	10,800	10,700	10,700	85
90	13,700	14,900	15,600	10,800	10,700	10,700	90
95	12,000	13,100	14,200	10,800	10,700	10,300	95
100	10,500	11,500	12,500	10,800	10,700	10,100	100
105	9,100	10,100	11,000	9,900	10,700	9,900	105
110	7,900	8,800	9,600	8,700	10,200	9,800	110
115	6,800	7,600	8,400	7,600	9,000	9,600	115
120	5,800	6,600	7,300	6,600	7,900	9,300	120
125	4,900	5,600	6,300	5,700	6,900	8,200	125
130	4,100	4,800	5,400	4,800	6,000	7,200	130
135	3,300	4,000	4,600	4,000	5,200	6,300	135
140	2,600	3,200	3,800	3,300	4,400	5,500	140
145		2,600	3,100	2,700	3,700	4,700	145
150			2,400	2,100	3,000	4,000	150
155					2,400	3,300	155
160						2,700	160
165						2,100	165

This information is not for crane operation. Operator must refer to the in-cab information for crane operation. Rated lifting capacities shown on fully extended outriggers do not exceed 85% of the tipping loads.

115,500 lb Counterweight - Fully Extended Outriggers - 360° Rotation (All Capacities Are Listed In Pounds)							
200.1 ft Main Boom Length							
Radius (ft)	40 ft Hydraulic Offset Fly			67 ft Hydraulic Offset Fly			Radius (ft)
	2° - 15°	15° - 30°	30° - 45°	2° - 15°	15° - 30°	30° - 45°	
35	16,100						35
40	16,100			10,800			40
45	16,000	16,000		10,800			45
50	16,000	16,000		10,800			50
55	16,000	16,000		10,800			55
60	16,000	15,900	15,900	10,800			60
65	16,000	15,900	15,600	10,800	10,800		65
70	16,000	15,900	15,600	10,800	10,800		70
75	16,000	15,900	15,600	10,800	10,800		75
80	16,000	15,900	15,600	10,800	10,700	10,700	80
85	16,000	15,900	15,600	10,800	10,700	10,700	85
90	16,000	15,900	15,600	10,800	10,700	10,700	90
95	16,000	15,900	15,600	10,800	10,700	10,300	95
100	16,000	15,900	15,600	10,800	10,700	10,100	100
105	16,000	15,900	15,600	10,800	10,700	9,900	105
110	16,000	15,900	15,600	10,800	10,700	9,800	110
115	16,000	15,900	15,600	10,800	10,700	9,600	115
120	16,000	15,900	15,600	10,800	10,700	9,500	120
125	16,000	15,900	15,600	10,800	10,500	9,400	125
130	15,300	15,200	15,200	10,800	10,300	9,200	130
135	14,500	14,500	14,500	10,800	10,100	9,100	135
140	13,800	13,800	13,900	10,800	9,900	9,000	140
145	13,200	13,200	13,200	10,800	9,700	8,900	145
150	12,600	12,600	12,600	10,800	9,600	8,800	150
155	12,000	12,000	12,100	10,800	9,400	8,700	155
160	11,400	11,500	11,500	10,500	9,300	8,600	160
165	10,900	11,000	11,000	10,100	9,100	8,500	165
170	10,400	10,500	10,500	9,700	9,000	8,400	170
175	9,700	10,000	10,000	9,200	8,900	8,400	175
180	9,000	9,300	9,600	8,800	8,700	8,300	180
185	8,300	8,600	8,900	8,400	8,500	8,300	185
190	7,700	8,000	8,200	8,000	8,100	8,200	190
195	7,100	7,400	7,600	7,600	7,700	7,800	195
200	6,500	6,800	6,900	7,100	7,400	7,500	200
205	6,000	6,200	6,300	6,600	7,000	7,100	205
210	5,500	5,700	5,700	6,100	6,500	6,800	210
215	5,000	5,200	5,200	5,600	6,000	6,300	215
220	4,600	4,700		5,100	5,500	5,800	220
225	4,200			4,700	5,000	5,300	225
230				4,300	4,600	4,700	230
235				3,900	4,100	4,200	235
240				3,500	3,700	3,600	240
245				3,100	3,300		245
250				2,800			250

This information is not for crane operation. Operator must refer to the in-cab information for crane operation. Rated lifting capacities shown on fully extended outriggers do not exceed 85% of the tipping loads.

# Main Boom Lift Capacity Charts – Metric

16 329kg Counterweight - Fully Extended Outriggers - 360° Rotation (All Capacities Are Listed In Kilograms)												
Radius (m)	Boom Length (m)											Radius (m)
	13.49	17.95-18.24	22.41-23.14	27.02-28.18	31.63-32.79	36.38-37.83	41.13-41.71	46.31-46.75	50.92-51.5	55.96-56.54	61	
3	130 200	130 800	118 900	96 200								3
3.5	118 900	119 700	118 700	96 200								3.5
4	109 250	110 250	109 500	96 050								4
4.5	100 900	102 050	101 400	92 850	58 500							4.5
5	91 300	93 100	92 350	91 400	78 750	29 950						5
6	75 500	77 350	77 800	77 500	76 600	59 350	41 450					6
7	63 850	65 750	66 300	66 100	65 300	54 750	41 450					7
8	53 900	57 050	57 050	56 750	55 750	54 750	41 400	33 100	18 700			8
9	41 700	44 750	45 900	46 100	45 650	44 700	39 050	33 100	24 900	18 750		9
10	33 450	36 500	37 550	37 700	37 300	36 450	37 100	33 100	24 900	18 750	14 950	10
12		26 000	27 400	27 150	27 900	27 500	26 700	27 050	24 900	18 750	14 950	12
14		19 550	21 000	21 500	21 500	21 750	21 400	20 700	20 150	18 750	14 950	14
16			16 650	17 150	17 450	17 400	17 350	16 400	16 750	16 250	14 950	16
18			13 500	14 100	14 400	14 350	14 300	13 400	13 750	13 250	12 850	18
20			10 050	11 700	12 050	12 000	11 950	11 100	11 450	10 950	10 550	20
22				9 850	10 250	10 200	10 150	9 300	9 600	9 150	8 750	22
24				8 400	8 750	8 750	8 700	7 850	8 150	7 700	7 400	24
26					7 550	7 600	7 550	6 700	7 050	6 550	6 150	26
28					6 450	6 500	6 500	5 650	6 000	5 500	5 100	28
30					2 900	5 550	5 600	4 750	5 100	4 600	4 200	30
32						4 800	4 800	3 950	4 350	3 850	3 450	32
34						3 650	4 100	3 250	3 650	3 200	2 800	34
36							3 500	2 650	3 050	2 600	2 200	36
38							3 000	2 150	2 500	2 100	1 700	38
40								1 700	2 050	1 600	1 250	40
42								1 250	1 650	1 200		42
44									1 250			44
46									950			46

Note: Capacities depict multiple boom modes.

This information is not for crane operation. Operator must refer to the in-cab information for crane operation. Rated lifting capacities shown on fully extended outriggers do not exceed 75% of the tipping loads.

# Main Boom Lift Capacity Charts – Optional – Metric

52 390kg Counterweight - Fully Extended Outriggers - 360° Rotation (All Capacities Are Listed In Kilograms)												
Radius (m)	Boom Length (m)											Radius (m)
	13.49	17.95-18.24	22.41-23.14	27.02-28.18	31.63-32.79	36.38-37.82	41.13-41.71	46.31-46.75	50.92-51.5	55.96-56.54	61	
2.5	185 000 **											2.5
3	136 000	135 950	118 900	96 200								3
3.5	124 850	125 350	118 700	96 200								3.5
4	115 250	116 000	112 050	96 050								4
4.5	106 900	107 800	106 100	92 850	58 500							4.5
5	99 550	100 600	99 900	92 600	78 750	29 950						5
6	87 000	88 200	87 650	84 450	78 750	59 350	41 450					6
7	76 850	78 250	77 800	77 200	72 700	54 750	41 450					7
8	68 650	70 100	69 700	69 150	67 500	54 750	41 400	33 100	18 700			8
9	61 400	63 300	62 900	62 300	62 900	54 200	39 050	33 100	24 900	18 750		9
10	54 450	56 350	56 950	55 850	56 150	50 850	37 100	33 100	24 900	18 750	14 950	10
12		45 900	46 500	46 400	45 800	45 350	33 650	32 000	24 900	18 750	14 950	12
14		38 700	38 900	38 850	38 300	39 050	30 750	28 450	24 900	18 750	14 950	14
16			33 550	33 350	33 550	32 850	28 200	25 500	23 550	18 750	14 950	16
18			28 150	28 400	28 100	27 400	26 150	23 050	21 900	18 450	14 950	18
20			23 250	24 150	23 900	23 350	23 800	20 900	19 900	17 000	14 950	20
22				20 950	20 750	21 100	20 650	19 100	18 250	15 750	14 950	22
24				18 300	18 100	18 650	18 050	17 500	16 750	14 650	14 150	24
26					16 650	16 500	15 900	15 800	15 450	13 650	13 200	26
28					15 050	14 750	14 250	14 500	14 050	12 750	12 300	28
30					11 450	13 250	12 700	12 950	12 550	11 950	11 500	30
32						11 950	11 950	11 700	11 250	10 850	10 800	32
34						9 750	11 050	10 550	10 150	9 750	10 000	34
36							10 050	9 550	9 150	8 750	9 100	36
38							9 200	8 700	8 250	8 200	8 250	38
40								7 900	7 500	7 700	7 500	40
42								7 200	6 750	7 150	6 750	42
44								4 800	6 100	6 450	6 100	44
46									5 700	5 850	5 500	46
48									5 400	5 300	4 950	48
50										4 800	4 450	50
52										4 350	4 000	52
54											3 550	54
56											3 200	56
58												58

Note: Capacities depict multiple boom modes.  
 \*\* Over rear intermediate outriggers, additional equipment required.

This information is not for crane operation. Operator must refer to the in-cab information for crane operation. Rated lifting capacities shown on fully extended outriggers do not exceed 75% of the tipping loads.

# Manual & Hydraulic Offset Fly Attachment Lift Capacity Charts – Optional – Metric

16 329kg Counterweight - Fully Extended Outriggers - 360° Rotation (All Capacities Are Listed In Kilograms)												
Main Boom + 3.65m Offset Fly (Manual Offsets 2°, 15°, 30°, 45° & Hydraulic Offsets 2° - 45°)												
Radius (m)	Main Boom Length (m)											Radius (m)
	13.49	17.95-18.24	22.41-23.14	27.02-28.18	31.63-32.79	36.38-37.83	41.13-41.71	46.31-46.75	50.92-51.5	55.96-56.54	61	
3	31 600	31 550	31 500	31 450								3
3.5	31 600	31 550	31 500	31 450								3.5
4	31 600	31 550	31 500	31 450								4
4.5	31 600	31 550	31 500	31 450	28 450	27 650	19 500					4.5
5	31 600	31 550	31 500	31 450	28 450	27 650	19 500					5
6	31 600	31 550	31 500	31 450	28 450	27 650	25 150	24 850	16 150			6
7	31 600	31 550	31 500	31 450	28 450	27 650	25 150	24 850	16 150			7
8	31 600	31 550	31 500	30 700	27 200	27 650	25 150	24 850	19 500	16 300		8
9	30 400	31 550	29 350	28 600	25 200	26 700	25 150	24 850	19 500	16 200	12 900	9
10	29 000	31 550	27 350	26 600	23 450	24 900	25 150	24 850	19 500	16 050	12 750	10
12	25 350	26 650	23 600	23 300	20 550	22 000	23 400	24 450	19 500	16 050	12 750	12
14	19 150	20 350	20 600	20 650	18 350	19 800	20 950	20 250	19 500	16 050	12 750	14
16		16 100	16 800	16 750	16 450	17 050	16 650	15 950	15 950	15 000	12 750	16
18		13 100	13 750	13 700	14 150	14 000	13 900	13 000	13 250	12 750	12 300	18
20			11 450	11 400	11 800	11 650	11 550	10 650	10 950	10 450	10 000	20
22			9 650	9 600	10 000	9 850	9 750	8 850	9 150	8 650	8 150	22
24				8 150	8 500	8 400	8 250	7 450	7 750	7 250	6 800	24
26				6 950	7 400	7 250	7 150	6 200	6 500	6 000	5 550	26
28					6 350	6 200	6 100	5 150	5 450	4 950	4 500	28
30					5 450	5 300	5 200	4 250	4 550	4 050	3 600	30
32					4 700	4 550	4 400	3 500	3 800	3 300	2 850	32
34						3 850	3 750	2 850	3 150	2 600	2 200	34
36						3 300	3 150	2 250	2 550	2 050	1 650	36
38							2 650	1 750	2 050	1 550	1 100	38
40							2 200	1 300	1 600	1 100		40
42									1 200			42

Note: Capacities depict multiple boom modes.

This information is not for crane operation. Operator must refer to the in-cab information for crane operation. Rated lifting capacities shown on fully extended outriggers do not exceed 75% of the tipping loads.

**52 390kg Counterweight - Fully Extended Outriggers - 360° Rotation  
(All Capacities Are Listed In Kilograms)**

**Main Boom + 3.65m Offset Fly (Manual Offsets 2°, 15°, 30°, 45° & Hydraulic Offsets 2° - 45°)**

Radius (m)	Main Boom Length (m)											Radius (m)
	13.49	17.95-18.24	22.41-23.14	27.02-28.18	31.63-32.79	36.38-37.83	41.13-41.71	46.31-46.75	50.92-51.5	55.96-56.54	61	
3	31 600	31 550	31 500	31 450								3
3.5	31 600	31 550	31 500	31 450								3.5
4	31 600	31 550	31 500	31 450								4
4.5	31 600	31 550	31 500	31 450	28 450	27 650	19 500					4.5
5	31 600	31 550	31 500	31 450	28 450	27 650	19 500					5
6	31 600	31 550	31 500	31 450	28 450	27 650	25 150	24 850	16 150			6
7	31 600	31 550	31 500	31 450	28 450	27 650	25 150	24 850	16 150			7
8	31 600	31 550	31 500	30 700	27 200	27 650	25 150	24 850	19 500	16 300		8
9	30 400	31 550	29 350	28 600	25 200	26 700	25 150	24 850	19 500	16 200	12 900	9
10	29 000	31 550	27 350	26 600	23 450	24 900	25 150	24 850	19 500	16 050	12 750	10
12	26 350	30 250	23 600	23 300	20 550	22 000	23 400	24 450	19 500	16 050	12 750	12
14	24 650	27 950	20 600	20 650	18 350	19 800	21 100	22 200	19 500	16 050	12 750	14
16		26 100	18 450	18 450	16 450	17 850	19 200	20 300	19 500	16 050	12 750	16
18		24 200	16 500	16 450	14 850	16 250	17 550	18 650	19 300	16 050	12 750	18
20			14 900	14 850	13 500	14 850	16 150	17 250	17 950	15 850	12 750	20
22			13 600	13 450	12 250	13 650	14 950	16 000	16 750	14 600	12 750	22
24				12 250	11 150	12 600	13 850	14 950	15 700	13 500	12 750	24
26				11 300	10 200	11 650	12 900	13 950	14 650	12 550	12 100	26
28					9 500	10 750	12 050	13 100	13 500	11 650	11 250	28
30					8 750	10 050	11 200	12 350	12 100	10 850	10 450	30
32					8 100	9 350	10 500	11 250	10 800	10 000	9 700	32
34						8 700	9 850	10 150	9 700	9 250	9 100	34
36						8 150	9 250	9 200	8 700	8 250	8 500	36
38							8 700	8 300	7 800	7 450	7 700	38
40							8 150	7 600	7 050	6 850	6 950	40
42								6 850	6 350	6 400	6 200	42
44								6 200	5 700	6 000	5 550	44
46								5 650	5 100	5 400	4 950	46
48									4 550	4 850	4 450	48
50									4 050	4 350	3 950	50
52									2 850	3 900	3 500	52
54										3 500	3 100	54
56											2 700	56
58											2 350	58

Note: Capacities depict multiple boom modes.

This information is not for crane operation. Operator must refer to the in-cab information for crane operation. Rated lifting capacities shown on fully extended outriggers do not exceed 75% of the tipping loads.



# Manual Offset Fly Attachment Lift Capacity Charts – Optional – Metric

**16 329kg Counterweight - Fully Extended Outriggers - 360° Rotation**  
(All Capacities Are Listed In Kilograms)

**61m Main Boom Length**

Radius (m)	12.2m Manual Offset Fly				20.4m Manual Offset Fly				Radius (m)
	2°	15°	30°	45°	2°	15°	30°	45°	
12	7 300								12
14	7 300								14
16	7 300	7 300			4 950				16
18	7 300	7 300			4 950				18
20	7 300	7 300	7 200		4 950	4 900			20
22	7 300	7 300	7 200	7 100	4 950	4 900			22
24	7 300	7 300	7 200	7 100	4 950	4 900			24
26	6 050	6 600	7 200	7 100	4 950	4 900	4 900		26
28	4 950	5 450	6 000	6 400	4 950	4 900	4 900		28
30	4 050	4 500	5 000	5 350	4 450	4 900	4 900	4 600	30
32	3 300	3 700	4 150	4 450	3 650	4 400	4 900	4 500	32
34	2 600	3 000	3 400	3 700	2 950	3 650	4 400	4 400	34
36	2 050	2 400	2 750	3 000	2 400	3 000	3 650	4 200	36
38	1 500	1 850	2 150	2 400	1 850	2 450	3 050	3 500	38
40	1 050	1 350	1 650	1 850	1 400	1 900	2 500	2 900	40
42			1 200	1 350	950	1 450	2 000	2 350	42
44				950		1 050	1 550	1 900	44
46							1 100	1 450	46
48								1 050	48

This information is not for crane operation. Operator must refer to the in-cab information for crane operation. Rated lifting capacities shown on fully extended outriggers do not exceed 75% of the tipping loads.

**52 390kg Counterweight - Fully Extended Outriggers - 360° Rotation**  
**(All Capacities Are Listed In Kilograms)**

**61m Main Boom Length**

Radius (m)	12.2m Manual Offset Fly				20.4m Manual Offset Fly				Radius (m)
	2°	15°	30°	45°	2°	15°	30°	45°	
12	7 300								12
14	7 300								14
16	7 300	7 300			4 950				16
18	7 300	7 300			4 950				18
20	7 300	7 300	7 200		4 950	4 900			20
22	7 300	7 300	7 200	7 100	4 950	4 900			22
24	7 300	7 300	7 200	7 100	4 950	4 900			24
26	7 300	7 300	7 200	7 100	4 950	4 900	4 900		26
28	7 300	7 300	7 200	7 100	4 950	4 900	4 900		28
30	7 300	7 300	7 200	7 100	4 950	4 900	4 900	4 600	30
32	7 300	7 300	7 200	7 100	4 950	4 900	4 900	4 500	32
34	7 300	7 300	7 200	7 100	4 950	4 900	4 900	4 400	34
36	7 300	7 300	7 200	7 100	4 950	4 900	4 900	4 300	36
38	7 300	7 300	7 200	7 100	4 950	4 900	4 750	4 250	38
40	6 850	6 850	6 800	6 800	4 950	4 900	4 650	4 150	40
42	6 400	6 400	6 400	6 400	4 950	4 900	4 550	4 100	42
44	5 900	6 000	6 050	6 050	4 950	4 900	4 450	4 050	44
46	5 300	5 550	5 700	5 700	4 950	4 900	4 350	3 950	46
48	4 750	5 000	5 200	5 300	4 950	4 850	4 250	3 900	48
50	4 300	4 500	4 650	4 750	4 550	4 700	4 150	3 850	50
52	3 800	4 000	4 150	4 250	4 100	4 400	4 050	3 800	52
54	3 400	3 550	3 700	3 750	3 700	4 000	4 000	3 800	54
56	3 000	3 150	3 300	3 350	3 300	3 600	3 850	3 750	56
58	2 650	2 800	2 900	2 950	2 950	3 200	3 450	3 600	58
60	2 350	2 450	2 550		2 600	2 850	3 050	3 200	60
62	2 050	2 150	2 200		2 300	2 500	2 700	2 800	62
64	1 750	1 850	1 900		2 000	2 200	2 400	2 450	64
66	1 500	1 550	1 600		1 750	1 900	2 050	2 100	66
68	1 250	1 300			1 450	1 650	1 750		68
70					1 250	1 400	1 500		70
72					1 000	1 150	1 200		72
74							950		74

This information is not for crane operation. Operator must refer to the in-cab information for crane operation. Rated lifting capacities shown on fully extended outriggers do not exceed 75% of the tipping loads.

52 390kg Counterweight - Fully Extended Outriggers - 360° Rotation (All Capacities Are Listed In Kilograms)									
61m Main Boom Length									
Radius (m)	28m Manual Offset Fly				35.6m Manual Offset Fly				Radius (m)
	2°	15°	30°	45°	2°	15°	30°	45°	
18	3 700								18
20	3 700				3 050				20
22	3 700	3 700			3 050				22
24	3 700	3 700			3 050	3 000			24
26	3 700	3 700			3 050	3 000			26
28	3 700	3 700	3 650		3 050	3 000			28
30	3 700	3 700	3 650	3 550	3 050	3 000	2 950		30
32	3 700	3 700	3 650	3 550	3 050	3 000	2 950		32
34	3 700	3 700	3 650	3 550	3 050	3 000	2 950	2 850	34
36	3 700	3 700	3 650	3 550	3 050	3 000	2 950	2 850	36
38	3 700	3 700	3 650	3 550	3 050	3 000	2 950	2 850	38
40	3 700	3 700	3 650	3 550	3 050	3 000	2 950	2 850	40
42	3 700	3 700	3 650	3 550	3 050	3 000	2 950	2 850	42
44	3 700	3 700	3 650	3 550	3 050	3 000	2 950	2 800	44
46	3 700	3 700	3 650	3 450	3 050	3 000	2 850	2 700	46
48	3 700	3 700	3 600	3 400	3 050	2 950	2 700	2 600	48
50	3 700	3 700	3 500	3 300	3 050	2 850	2 600	2 500	50
52	3 700	3 700	3 400	3 200	2 950	2 700	2 500	2 400	52
54	3 550	3 650	3 300	3 150	2 800	2 600	2 400	2 300	54
56	3 250	3 400	3 200	3 050	2 650	2 450	2 300	2 200	56
58	2 850	3 150	3 150	3 000	2 550	2 350	2 200	2 100	58
60	2 550	2 850	3 050	2 900	2 400	2 200	2 100	2 000	60
62	2 200	2 500	2 750	2 850	2 100	2 100	2 000	1 950	62
64	1 950	2 200	2 400	2 550	1 850	2 000	1 900	1 850	64
66	1 650	1 900	2 100	2 200	1 550	1 800	1 850	1 800	66
68	1 400	1 600	1 800	1 900	1 300	1 550	1 750	1 700	68
70	1 150	1 350	1 500	1 600	1 050	1 300	1 500	1 600	70
72	950	1 100	1 250	1 300		1 050	1 250	1 300	72
74			1 000	1 000			1 000	1 050	74

This information is not for crane operation. Operator must refer to the in-cab information for crane operation. Rated lifting capacities shown on fully extended outriggers do not exceed 75% of the tipping loads.

# Hydraulic Offset Fly Attachment Lift Capacity Charts – Optional – Metric

**16 329kg Counterweight - Fully Extended Outriggers - 360° Rotation**  
(All Capacities Are Listed In Kilograms)

## 61m Main Boom Length

Radius (m)	12.2m Hydraulic Offset Fly			20.4m Hydraulic Offset Fly			Radius (m)
	2° - 15°	15° - 30°	30° - 45°	2° - 15°	15° - 30°	30° - 45°	
12	7 300						12
14	7 300						14
16	7 300	7 300		4 950			16
18	7 300	7 300		4 950			18
20	7 300	7 200	7 200	4 900	4 900		20
22	7 300	7 200	7 100	4 900	4 900		22
24	7 300	7 200	7 100	4 900	4 900		24
26	6 050	6 600	7 100	4 900	4 900	4 900	26
28	4 950	5 450	6 000	4 900	4 900	4 900	28
30	4 050	4 500	5 000	4 450	4 900	4 600	30
32	3 300	3 700	4 150	3 650	4 400	4 500	32
34	2 600	3 000	3 400	2 950	3 650	4 400	34
36	2 050	2 400	2 750	2 400	3 000	3 650	36
38	1 500	1 850	2 150	1 850	2 450	3 050	38
40	1 050	1 350	1 650	1 400	1 900	2 500	40
42			1 200	950	1 450	2 000	42
44					1 050	1 550	44
46						1 100	46

This information is not for crane operation. Operator must refer to the in-cab information for crane operation. Rated lifting capacities shown on fully extended outriggers do not exceed 75% of the tipping loads.

52 390kg Counterweight - Fully Extended Outriggers - 360° Rotation (All Capacities Are Listed In Kilograms)							
61m Main Boom Length							
Radius (m)	12.2m Hydraulic Offset Fly			20.4m Hydraulic Offset Fly			Radius (m)
	2° - 15°	15° - 30°	30° - 45°	2° - 15°	15° - 30°	30° - 45°	
12	7 300						12
14	7 300						14
16	7 300	7 300		4 950			16
18	7 300	7 300		4 950			18
20	7 300	7 200	7 200	4 900	4 900		20
22	7 300	7 200	7 100	4 900	4 900		22
24	7 300	7 200	7 100	4 900	4 900		24
26	7 300	7 200	7 100	4 900	4 900	4 900	26
28	7 300	7 200	7 100	4 900	4 900	4 900	28
30	7 300	7 200	7 100	4 900	4 900	4 600	30
32	7 300	7 200	7 100	4 900	4 900	4 500	32
34	7 300	7 200	7 100	4 900	4 900	4 400	34
36	7 300	7 200	7 100	4 900	4 900	4 300	36
38	7 300	7 200	7 100	4 900	4 750	4 250	38
40	6 850	6 800	6 800	4 900	4 650	4 150	40
42	6 400	6 400	6 400	4 900	4 550	4 100	42
44	5 900	6 000	6 050	4 900	4 450	4 050	44
46	5 300	5 550	5 700	4 900	4 350	3 950	46
48	4 750	5 000	5 200	4 850	4 250	3 900	48
50	4 300	4 500	4 650	4 550	4 150	3 850	50
52	3 800	4 000	4 150	4 100	4 050	3 800	52
54	3 400	3 550	3 700	3 700	4 000	3 800	54
56	3 000	3 150	3 300	3 300	3 600	3 750	56
58	2 650	2 800	2 900	2 950	3 200	3 450	58
60	2 350	2 450	2 550	2 600	2 850	3 050	60
62	2 050	2 150	2 200	2 300	2 500	2 700	62
64	1 750	1 850	1 850	2 000	2 200	2 400	64
66	1 500	1 550	1 500	1 750	1 900	2 050	66
68	1 250			1 450	1 650	1 750	68
70				1 250	1 400	1 450	70
72				1 000	1 150	1 150	72

This information is not for crane operation. Operator must refer to the in-cab information for crane operation. Rated lifting capacities shown on fully extended outriggers do not exceed 75% of the tipping loads.

**52 390kg Counterweight - Fully Extended Outriggers - 360° Rotation**  
**(All Capacities Are Listed In Kilograms)**

**61m Main Boom Length**

Radius (m)	28m Hydraulic Offset Fly			35.6m Hydraulic Offset Fly			Radius (m)
	2° - 15°	15° - 30°	30° - 45°	2° - 15°	15° - 30°	30° - 45°	
18	3 700						18
20	3 700			3 050			20
22	3 700	3 700		3 050			22
24	3 700	3 700		3 000	3 000		24
26	3 700	3 700		3 000	3 000		26
28	3 700	3 650	3 650	3 000	3 000		28
30	3 700	3 650	3 550	3 000	2 950	2 950	30
32	3 700	3 650	3 550	3 000	2 950	2 950	32
34	3 700	3 650	3 550	3 000	2 950	2 850	34
36	3 700	3 650	3 550	3 000	2 950	2 850	36
38	3 700	3 650	3 550	3 000	2 950	2 850	38
40	3 700	3 650	3 550	3 000	2 950	2 850	40
42	3 700	3 650	3 550	3 000	2 950	2 850	42
44	3 700	3 650	3 550	3 000	2 950	2 800	44
46	3 700	3 650	3 450	3 000	2 850	2 700	46
48	3 700	3 600	3 400	2 950	2 700	2 600	48
50	3 700	3 500	3 300	2 850	2 600	2 500	50
52	3 700	3 400	3 200	2 700	2 500	2 400	52
54	3 550	3 300	3 150	2 600	2 400	2 300	54
56	3 250	3 200	3 050	2 450	2 300	2 200	56
58	2 850	3 150	3 000	2 350	2 200	2 100	58
60	2 550	2 850	2 900	2 200	2 100	2 000	60
62	2 200	2 500	2 750	2 100	2 000	1 950	62
64	1 950	2 200	2 400	1 850	1 900	1 850	64
66	1 650	1 900	2 100	1 550	1 800	1 800	66
68	1 400	1 600	1 800	1 300	1 550	1 700	68
70	1 150	1 350	1 500	1 050	1 300	1 500	70
72	950	1 100	1 250		1 050	1 250	72
74			1 000			1 000	74

This information is not for crane operation. Operator must refer to the in-cab information for crane operation. Rated lifting capacities shown on fully extended outriggers do not exceed 75% of the tipping loads.

**This Page Intentionally Blank**

**Link-Belt Construction Equipment Company** Lexington, Kentucky [www.linkbelt.com](http://www.linkbelt.com)

®Link-Belt is a registered trademark. Copyright 2013. We are constantly improving our products and therefore reserve the right to change designs and specifications.